
The Zoning Board of Adjustment of the City of Marion, Iowa, will meet **Tuesday, July 21, 2020 at 7:00 p.m.** for their regular monthly meeting. The agenda is as follows:

NOTE: Based on COVID-19 guidance from Linn County Public Health and the State of Iowa to limit the size of groups gathering, this meeting is able to be viewed online. To watch, go to Zoom.com, select Join a Meeting, and enter the Meeting ID #816 5259 4311. A link is also provided at www.cityofmarion.org. Audio only can be heard by calling 1-301-715-8592 and enter the same Meeting ID listed above.

Anyone who wishes to comment on an agenda item, including public hearings, may submit the question or comment to the Planning Division by 4:00 p.m. on Tuesday, July 21st via phone at 319-743-6320 or email abartlett@cityofmarion.org. Comments can also be provided during the Zoom meeting by clicking the Q&A option and entering your comment. All comments will be acknowledged during the meeting.

1. CALL TO ORDER
2. ROLL CALL
3. MINUTES
 - a. Motion to approve the minutes as submitted from the June 16, 2020 meeting.
4. CONSENT CALENDAR
 - a. Motion to receive and file all correspondence from applicants and staff.
5. REED – CONDITIONAL USE (BEES)
 - b. Public hearing regarding a conditional use requested by Andrea Reed pursuant to Section 176.49-9 of the Marion Code of Ordinances to allow honeybee hives to be located at 1295 Parkview Drive, Marion, Iowa.

ZBA Resolution No. 20-11 approving the conditional use request.
ZBA Resolution No. 20-11 denying the conditional use request.
6. BANKIOWA – CONDITIONAL USE (ATM)
 - a. Public hearing regarding a conditional use requested by Banklowa pursuant to Ordinance No. 13-14, Section 1(2) to permit an ATM drive-thru located at 901 Tower Terrace Road, Marion, Iowa.

ZBA Resolution No. 20-12 approving the conditional use request.

ZBA Resolution No. 20-12 denying the conditional use request.

- b. Public hearing regarding a conditional use requested by Banklowa pursuant to Ordinance No. 13-14, Section 1(4)K to permit an ATM to operate between the hours of 11:00p.m. and 6:00a.m. located at 901 Tower Terrace Road, Marion, Iowa.

ZBA Resolution No. 20-13 approving the conditional use request.

ZBA Resolution No. 20-13 denying the conditional use request.

7. OTHER BUSINESS

- a.

8. ADJOURN

1. CALL TO ORDER

The regular meeting, held via Zoom, of the Zoning Board of Adjustment was called to order at 7:00p.m.

2. ROLL CALL

Members Present: Kent, Potter, Golden, Sunderman, and Jordan

Members Absent: N/A

Staff Present: Hockett and Behrens

3. MINUTES

- a. Motion to approve the minutes as submitted from the May 19, 2020 meeting.

Motion by Jordan, seconded by Golden to approve the May 19, 2020 Zoning Board Minutes.

Roll Call:

Jordan	Aye
Potter	Aye
Golden	Aye
Kent	Aye
Sunderman	Aye

All ayes, motion approved (5-0).

4. CONSENT CALENDAR

- a. Motion to receive and file all correspondence from applicants and staff.

Motion by Sunderman, seconded by Golden to receive and file all correspondence from applicants and staff.

Roll Call:

Jordan	Aye
Potter	Aye
Golden	Aye
Kent	Aye
Sunderman	Aye

All ayes, motion approved (5-0).

5. DAVID BESLER – CONDITIONAL USE REVISED (GARAGE)

- a. Public hearing regarding a conditional use requested by David Besler pursuant to Section 176.32-2B of the Marion Code of Ordinances to permit a detached structure to exceed 900 square feet located 1627 11th Street, Marion, Iowa.

Hockett gave a brief staff report and mentioned the revision that the applicant made from the original request that was withdrawn at the May meeting. He mentioned that the request is 350' over the permitted square footage. Hockett also talked about the additional site improvements on the property.

Kent asked if the applicant could use it for commercial uses. Hockett stated that commercial uses would not be allowed. He mentioned that the applicant has stated the smaller units are for the tenants and the larger unit would be for personal use.

Hockett stated that there are similar sized garages within the area of the property.

Kent stated that the applicant has reduced the scale of the project from the original request.

Motion by Golden, seconded by Jordan to approve ZBA Resolution 20-10 regarding the conditional use request to allow an accessory structure to be 350sqft in size.

Roll Call:

Jordan	Aye
Potter	Aye
Golden	Aye
Kent	Aye
Sunderman	Aye

All ayes, motion approved (5-0).

6. OTHER BUSINESS

a. None.

7. ADJOURN

There being no further business the meeting was adjourned at 7:11 p.m.

Motion by Potter, seconded by Sunderman to adjourn the meeting.

Roll Call:

Jordan	Abstention (video froze)
Potter	Aye
Golden	Aye
Kent	Aye
Sunderman	Aye

Motion approved, 4-1.

Respectfully submitted,

Angela Jordan
Secretary

Planning Division
1225 6th Avenue, Suite 210
Marion, Iowa 52302
www.cityofmarion.org

Zoning board memo

DATE: Wednesday, July 15, 2020

TO: Zoning Board of Adjustment

FROM: David N. Hockett, AICP
Principal Planner

RE: Public hearing regarding a conditional use requested by Andrea Reed pursuant to Section 176.49-9 of the Marion Code of Ordinances to allow honeybee hives to be located at 1295 Parkview Drive, Marion, Iowa.

ZBA Resolution No. 20-11 approving the conditional use request.

ZBA Resolution No. 20-11 denying the conditional use request.

Exhibit(s): Exhibit A: Conditional Use application / site plan
Exhibit B: Letter of opposition

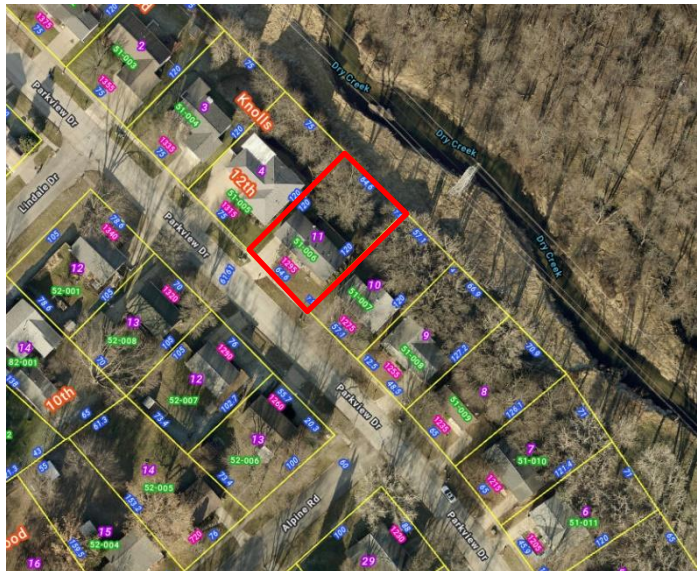
The applicant, Andrea Reed of 1295 Parkview Drive is seeking approval of a conditional use request to allow one honeybee hive to be located on the property per the Marion Code of Ordinances, Zoning Regulations: Urban Agriculture (Chapter 176.49).

Approval for the keeping of honeybees shall not be granted unless the conditions of the section are met:

- A. Maximum Number of Hives: The maximum number of hives on any given lot or roof for personal consumption of honeybee products shall be two (2) (Section 176.49-9B):**

The applicant is proposing to keep two ground level hives, which meets the maximum permitted amount hives on a lot.

- B. Maximum Height and Size: No hive shall exceed five (5) feet in height and twenty (20) cubic feet in size on any lot (Section 176.49-9C):**



The proposed hives will each be five (5) feet in height and will be approximately 11.1 square feet (1.67' x 1.33' x 5') The hive is at the maximum permitted height of five (5) feet and is less than the permitted size of twenty (20) cubic feet.

C. Beekeeping Requirements

(1) Setbacks

- (a) Where there is a wall, fence or similar barrier between the subject property and adjacent property, no setback from the property line is required. Where there is no wall, fence or similar barrier between subject property and adjacent property, hives shall be set back five (5) feet from the property line (Section 176.49-9D(1):**

The applicant is proposing to have the hive setback 35' from the north and south property lines and 50' from the east property line.

- (b) Hives shall not be located in front or in a side yard that abuts a street in all residential and commercial districts (Section 176.49-9D(2):**

The proposed location of the hive is in the backyard of the property. Being an interior lot, the hive has not been placed in a side yard where the lot abuts a street.

- (c) No hive shall be located closer than ten (10) feet from a public sidewalk (Section 176.49-9D(3):**

There is a public sidewalk on Parkview in the front of the house approximately 65' from the proposed hive location with the home located between the hive and sidewalk.

There is a public trail located to the east of the proposed hives but is approximately 340' from the proposed hive location.

D. Hive Placement and Flyways.

- (1) For any ground level hive that is within twenty (20) feet of the doors and/or windows of the principal building on an abutting lot, either of the following conditions must exist (Section 176.49.9E(1):**

- (a) The hive opening must face away from doors and/or windows:**

Not applicable to the request as the hive will be farther than twenty (20) feet from any door or window of an adjacent principal structure. The hive opening will face east, which is a distance over thirty (30) feet to the southern property line.

- (b) A flyway of at least six (6) feet in height comprising of a lattice fence, dense hedge or similar barrier must be established in front of the opening of the hive such that the honeybees fly upward and away from neighboring properties. The flyway shall be located within three (3) feet of the entrance to the hive and shall extend at least two (2) feet in width on either side of the hive opening:**

Not applicable to the request as the hive is setback farther than twenty (20)' from an adjacent principal structure.

E. Compliance with State and Local Laws

(1) All beekeeping shall comply with applicable State and local laws and regulations (176.49-9E):

Compliance with Section 176.49-9 of the Marion City Code shall be considered to comply with all local laws and regulations.

It is staffs' position that the applicant has met all requirements for keeping bees on the property as permitted by Section 176.49 of the Marion Code of Ordinances.

Both the Commission and Zoning Board of Adjustment shall render their decision of approval or denial based on the following review criteria (Section 176.36-6E) as established in the Zoning Regulations:

(1) That the conditional use applied for is provided in the zoning district within which the property is located:

The property is currently zoned R-2, Medium Density Single Family Residential and beekeeping is permitted as a conditional use within the zoning district and per the conditions established in the Urban Agricultural Regulations (176.49).

(2) That the proposed use and development will be in accord with the intent and purpose of the Zoning Ordinance and the Comprehensive Community Plan:

The use is permitted through the conditional use process and through conditions established in the Urban Agricultural Regulations (176.49). The City Council through its approval of the Urban Agriculture Regulations has placed an emphasis on permitting more urban agriculture and their accessory uses within the City Limits as part of the Blue Zone initiative.

(3) That the proposed use and development will not have a substantial adverse effect upon adjacent property; the character of the neighborhood; traffic conditions; parking; utility and service facilities; and other factors affecting the public health, safety, and welfare:

There should not be an adverse effect upon adjacent properties or the character of the neighborhood from the proposed hive as it sits towards the middle of the backyard which is fenced. Staff believes that the public health, safety, and welfare are not being affected as the public will not have direct access to the hives and Emerson Elementary is now the location of the Marion Home School Assistance Program meaning recess is not being held nearby on a daily basis.

(4) That the proposed development or use will be located, designed, constructed, and operated in such a manner that it will be compatible with the immediate neighborhood and will not interfere with the orderly use, development and improvement of surrounding property:

The location of the hive in the middle of the property provides distance from adjacent public and private property.



Planning Division
1225 6th Avenue, Suite 210
Marion, Iowa 52302
www.cityofmarion.org

- (5) That adequate measures have been or will be taken to assure adequate access designed to minimize traffic congestion and to assure adequate service by essential public services and facilities including utilities, storm water drainage, and similar facilities:**

The proposed conditional use should not affect traffic or essential public services and facilities.

Planning and Zoning Commission Recommendation:

The Marion Planning and Zoning Commission met on July 14, 2020 and determined that the proposed keeping of honey bees at this location met the requirements for keeping bees on the property as permitted by Section 176.49 of the Marion Code of Ordinances and the standards for review of a conditional use and recommended **APPROVAL** of the request.



1225 6th Avenue, Suite 210, Marion, Iowa 52302
Phone: (319) 743-6320 Fax: (319) 373-4260
www.cityofmarion.org

Conditional Use Instructions and Application
Notice of Appeal to the Zoning Board of Adjustment

CONTACT INFORMATION:

Owner: Andrea Reed
Company Name if Applicable: _____
Address: 1295 Parkview Dr. City, State, Zip: Marion, IA 52302
Phone: 563-608-1208 Fax: _____ Email: amreed3114@gmail.com

Applicant or Agent (if different from Owner): _____
Company Name if Applicable: _____
Address: _____ City, State, Zip: _____
Phone: _____ Fax: _____ Email: _____

Applicant or Agent (if different from Owner): _____
Company Name if Applicable: _____
Address: _____ City, State, Zip: _____
Phone: _____ Fax: _____ Email: _____

PRE-APPLICATION INFORMATION:

Have you attended a pre-application conference with Staff? Yes: No:
If yes, date of pre-application conference: April 1, 2020 with Dave Hockett
If no, contact the Planning and Development Department at 319-743-6320 or email Ama Bartlett at abartlett@cityofmarion.org to schedule a pre-application conference prior to submittal of the application. Failure to conduct a pre-application conference may result in processing delays of your request.

PROPERTY INFORMATION:

Property Address (if different from Owner Information): _____
Legal Description: Linnwood Knolls 9th NW'LY 7.5' Lot 10 & A11
Lot Size: 72.10 x 120 = 8652 Square Feet (or attach a copy of Plat)
Zoning District: R2 Present Use of Property: Residential
City Code Section regarding Conditional Use: 176.49-9



Conditional Use Instructions and Application Notice of Appeal to the Zoning Board of Adjustment

GENERAL DESCRIPTION OF REQUEST:

Please provide a general description of the request. (Use additional sheets of paper if necessary)

To keep and maintain two (2) beehives on my property for the purpose of bee conservation and to provide honey for my family and friends.

SITE PLAN:

Have you attached a site plan? Yes: No:

Please remember a site plan must be submitted and be to a reasonable scale. If you should require assistance please contact the Planning and Development Department.

IMPORTANT DATES AND TIMES:

- Zoning Board of Adjustment Deadline – Last weekday of the Month – 4:00 p.m.
- Zoning Board of Adjustment Regular Meeting – 3rd Tuesday of Every Month – 7:00 p.m.

It is requested that the appeal be set for hearing by the Chairperson of the Zoning Board of Adjustment in strict accordance with the provisions of the Code of Ordinances of the City of Marion. Property owner signature is required.

Name: Andrea Reed
(Signature)

Date: 6/5/2020



Red lines indicate where windows and doors are located on adjacent homes – hives are greater than 20 feet from each.



Planning Division
1225 6th Avenue, Suite 210
Marion, Iowa 52302
www.cityofmarion.org

Exhibit B

To the Marion Planning and Zoning Commission:

We own a rental property @ 1260 Parkview Drive. We pay a registration fee along with taxes to the city. It is across the street from the requested permit to keep honey bees property. There is a turnover of tenants and any severe allergic reaction by them to bee stings cannot be requested due to health privacy laws. There is also, a possibility tenants don't know they are allergic for children. Allowing for huge numbers of bees to be housed and flying around neighboring properties is opening us (if stung on our property) and the city to potential lawsuits. If a tenant dies or has to be hospitalized from a bee sting, lawyers are going to look for someone to sue. We don't want to take that risk and the city should be protecting landlords.

In review of criteria Section 176.36-6E:

#3 That the proposed use and development will not have a substantial adverse effect upon adjacent property and public health/safety.

The adverse effect will be our tenants being exposed to a higher probability of bee stings. What guarantee is there that dangerous African bees won't penetrate and take over the hive? What experience and training has Andrea Reed received on properly keeping honey bee hives to protect neighbors? Hives can be accidentally knocked over or toppled over by high winds which could release thousands of angry bees on neighbors and endangering their public health and safety.

#4 That the proposed use will not interfere with the orderly use of surrounding property.

The housing and attracting of thousands of bees to the property will have a spillover effect to neighboring homes. The front yard of 1295 Parkview has many flowering bushes attracting bees to their front yard too. Use of yards and home entrances will be restricted by people fearing bee stings, especially if they are allergic to them.

We believe that the risk is too great to the surrounding homeowners compared to the limited Blue Zone and honey production benefit. Urban Agriculture permitting should not be made at the expense of the negative effects, health, safety, and property use restrictions of surrounding homeowners.

We urge you deny the conditional use request for 1295 Parkview Drive.

Thank you for your consideration,

R2T2 Investments, LLC



Planning Division
 1225 6th Avenue, Suite 210
 Marion, Iowa 52302
www.cityofmarion.org

board memo

DATE: Tuesday, July 21, 2020

TO: Zoning Board of Adjustment
FROM: Nicole Behrens, AICP Candidate
 Planner I

RE: 6. BANKIOWA – CONDITIONAL USE (ATM DRIVE-THRU)

a. Public hearing regarding a conditional use request by BankIowa pursuant to Ordinance No. 13-14, Section 1(2) to permit an ATM to drive-thru located at 901 Tower Terrace Road, Marion, Iowa. (BankIowa)

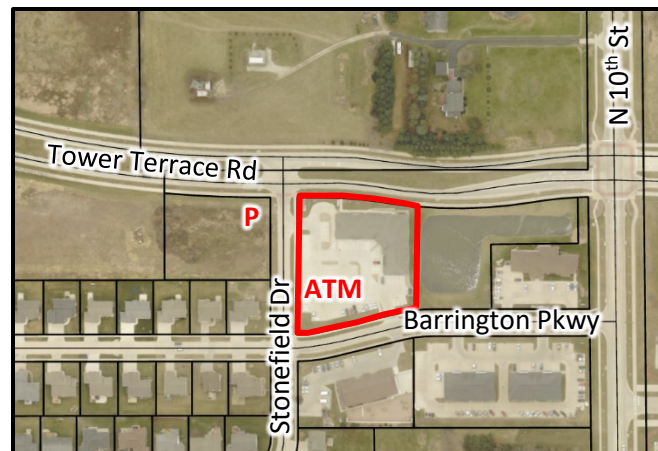
ZBA Resolution No. 20-12 approving the conditional use request

ZBA Resolution No. 20-12 denying the conditional use request

Exhibit(s): Conditional Use Application (ATM drive-thru)
 Site Plan
 ATM Rendering
 ATM Specifications
 Ord. No. 13-14

BankIowa is seeking approval of a conditional use request pertaining to a drive-thru ATM. Per Ordinance No. 13-14 (attached), conditions were placed on the property at the time the rezoning was approved requiring approval of a conditional use for a drive-thru. Per the applicant, the drive-thru ATM will be removed from 901 Tower Terrace Road when they are no longer a tenant of the building.

With the drive-thru taking up required parking at 901 Tower Terrace Road, a new parking lot is proposed to be installed across the street at 787 Tower Terrace Road (Lot 1, Stonefield 7th Addition). With the installation of the standalone parking lot, additional requirements are necessary and have been added as conditions to staff's recommendation.



The Zoning Board of Adjustment shall render their decision of approval or denial based on the following review criteria (Section 176.36-6E) as established in the Zoning Regulations.

1. That the conditional use applied for is provided in the zoning district within which the property is located.

The property is currently zoned C-3, General Commercial with conditions (Ordinance No. 13-14). Per the Ordinance, approval of a conditional use is required for a drive-thru.

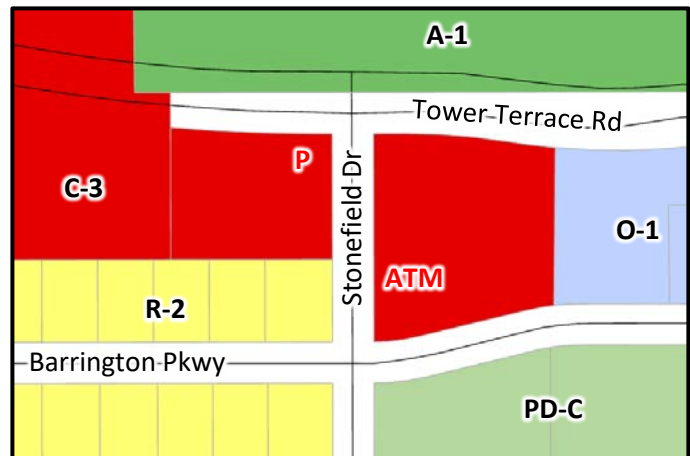
2. That the proposed use and development will be in accord with the intent and purpose of the Zoning Ordinance and the Comprehensive Community Plan.

Conditions placed on the C-3, General Commercial zoning in this area are intended to help maintain commercial compatibility with the adjacent residential neighborhood. This includes ensuring that drive-thru facilities will not negatively impact the area they are proposed. The applicant has proposed a location and site improvements to assist with maintaining the compatibility with the adjacent residential neighborhood.

The Marion Comprehensive Plan currently designates the area as “Neighborhood Commercial”, which is intended for small-scale commercial centers serving daily needs. A drive-thru ATM on the property and use of a bank, complement the existing office uses on site and fit within the intent of the Neighborhood Commercial classification.

3. That the proposed use and development will not have a substantial adverse effect upon adjacent property; the (1) character of the neighborhood; (2) traffic conditions; (3) parking; utility and service facilities and (4) other factors affecting the public health, safety, and welfare.

- (1) Character of the Neighborhood: The property sits adjacent to commercial/office uses (east, west, and south of the property) and single-family residential uses to the west/southwest and north. West of the property, north of the residential area is a vacant parcel intended for a commercial use and is owned by BankIowa. Due to the range of zoning/uses in the immediate vicinity, staff does not believe a drive-thru ATM would adversely affect the character of the neighborhood. To assist with buffering the location of the ATM from the residential home across from the site, staff is requiring additional landscaping (indicated on page 2 of the site plan) to be installed.



Planning Division1225 6th Avenue, Suite 210

Marion, Iowa 52302

www.cityofmarion.org

- (2) Traffic Conditions: Staff does not anticipate any substantial adverse effects on the adjacent properties based on traffic. The proposed location of the drive-thru ATM is located within the southwestern corner of the existing parking lot with the northern access drive approximately 85' from the entrance of the ATM queuing line. Three cars are indicated to fit within the queuing line of the ATM.
 - (3) Parking, utility and service facilities: With the installation of the medians and ATM, the site would lose 11 parking spaces. However, the applicant is required to accommodate the loss of the parking in another location. They are proposing to install a parking lot with 12 stalls across the street on the lot they own (787 Tower Terrace Road - Lot 1, Stonefield 7th Addition). With the installation of the separate parking lot, landscaping is required along the street frontage adjacent to the lot, as well as, the landscaping buffer along the entire length of the southern property line to assist with screening for the residential homes. The remaining landscaping requirements will be completed with construction of a building on the site. Also required on the standalone parking lot site is the installation of the sidewalk along Stonefield drive and the extension of the sanitary sewer main through the site.
 - (4) Other factors affecting the public health, safety, and welfare: Staff does not feel that the nature of an ATM will affect the public health, safety, or welfare of citizens.
- (4) That the proposed development or use will be located, designed, constructed, and operated in such a manner that it will be compatible with the immediate neighborhood and will not interfere with the orderly use, development and improvement of surrounding property.**

Staff believes the drive-thru ATM is compatible with the immediate neighborhood as it is on the border of commercial/office uses and residential. A drive-thru ATM does not generate as much traffic or noise as other drive-thru facilities can produce. The ATM should not interfere with the development or improvement of surrounding properties.

The orderly use of the neighborhood could be affected by radio frequency interference. If the radio frequency of the ATM does cause interference, the applicant per the ATM specifications, would be required to correct the issue. Limits for a Class A device, per the FCC, are designed to provide reasonable protection against harmful interference when operated in a commercial environment. However, the ATM device is likely to cause harmful interference to radio communications in residential areas if not installed in accordance with the manual. The specifications do not go into the type of radio interference that may occur in residential areas.

The proposed location of the drive-thru ATM should not cause an issue with traffic backing up onto the adjacent streets and the parking stalls lost due to the ATM are being accommodated for on an adjacent lot (which Code does allow).

As shown on the ATM rendering, two lights will be incorporated into the canopy and will be directed downward. If complaints of light trespass are received, staff will either require a photometric map to be submitted for verification that the foot-candles are zero at the property line or the applicant will be required to add a shield to the canopy or other device to redirect the light. Light trespass does not mean that ambient light given off will not be visible by adjacent properties, but that the light is not intrusive on adjacent properties.

When reviewing the ATM specifications, the dBA levels of the ATM (at the ATM) with general use should not exceed 68 dBA. However, if the coin, cooling fans, or air conditioner is in operation the dBA level could reach a maximum level of 78 dBA (from the air conditioner). According to City Code Chapter 53, Noise and Noise Limits, the maximum dBA for a residential zoning district to receive from a use is 60 dBA during the hours of 7:00 a.m. to 10:00 p.m. and 50 dBA during the hours of 10:00 p.m. to 7:00 a.m. A commercial zoning district maximum dBA receiving level is 65 dBA at all times of the day. If noise complaints are received, the Police Department can verify the level of noise; if a violation is confirmed, the applicant would be required to temporarily close the ATM until the device is adjusted so the sound levels are within the limits of the Code.

The additional landscaping being added along Stonefield Drive adjacent to the ATM should assist in minimizing the visual impact of the drive-thru ATM for the adjacent residential properties.

- (5) **That adequate measures have been or will be taken to assure adequate access designed to minimize traffic congestion and to assure adequate service by essential public services and facilities including utilities, storm water drainage, and similar facilities.**

The proposed conditional use has been designed to minimize traffic congestion and does not affect essential public services and facilities as the median and ATM will be located outside of the 20' sewer easement located within the southwest corner of the property.

Planning & Zoning Commission Recommendation:

The Planning and Zoning Commission found that the proposed conditional use would be a good asset to the community and would not cause substantial adverse effects on adjacent properties.

The Commission recommended **APPROVAL** of CPC Resolution No. 20-25 regarding the drive-thru ATM for BankIowa at 901 Tower Terrace Road at their meeting on Tuesday, July 14, 2020 with the following conditions recommended by staff:

1. Relocated parking shall be accommodated at a ratio of 1:1 on Lot 1, Stonefield 7th Addition.
2. Due to the proximity to residential homes, additional landscaping will be required adjacent to the ATM drive-thru between the public sidewalk and parking lot.



Planning Division

1225 6th Avenue, Suite 210

Marion, Iowa 52302

www.cityofmarion.org

3. Sidewalk along the eastern side of Lot 1, Stonefield 7th Addition shall be installed at the time the standalone parking lot is constructed and shall extend from the southern property line to Tower Terrace Road. The approved final plat is older than 5-years, per Ord. No. 14-11 a sidewalk is now required to be installed unless City Council defers the installation.
4. An 8” sanitary sewer main shall be extended from the manhole on Stonefield Drive, west thru Lot 1, Stonefield 7th Addition to the western property line prior to the standalone parking lot being constructed.

Conditional Use Instructions and Application Notice of Appeal to the Zoning Board of Adjustment

CONTACT INFORMATION:

Owner: Parks & Schmit Properties, L.C.

Company Name if Applicable: Parks & Schmit Orthodontics

Address: 2727 First Avenue SE STE 1 City, State, Zip: Cedar Rapids, IA. 52402

Phone: 319-363-3575 Fax: _____ Email: jschmitdds@gmail.com, ctparks@icloud.com

Applicant or Agent (if different from Owner): Alex Urbina

Company Name if Applicable: Banklowa

Address: 7045 C Avenue NE City, State, Zip: Cedar Rapids, IA. 52402

Phone: 319-395-9100 Fax: _____ Email: Alex.Urbina@bankiowa.com

Applicant or Agent (if different from Owner): _____

Company Name if Applicable: _____

Address: _____ City, State, Zip: _____

Phone: _____ Fax: _____ Email: _____

PRE-APPLICATION INFORMATION:

Have you attended a pre-application conference with Staff? Yes: No:

If yes, date of pre-application conference: 5-29-2020

If no, contact the Planning and Development Department at 319-743-6320 or email Ama Bartlett at abartlett@cityofmarion.org to schedule a pre-application conference prior to submittal of the application. Failure to conduct a pre-application conference may result in processing delays of your request.

PROPERTY INFORMATION:

Property Address (if different from Owner Information): 901 Tower Terrace Road

Legal Description: Lot 2, Stonefield 2nd Addition to Marion

Lot Size: _____ x _____ = 71,362 Square Feet (or attach a copy of Plat)

Zoning District: C-3 Present Use of Property: dental office

City Code Section regarding Conditional Use: Ordinance 13-14, Section 176.20-2(E)

Conditional Use Instructions and Application Notice of Appeal to the Zoning Board of Adjustment

GENERAL DESCRIPTION OF REQUEST:

Please provide a general description of the request. (Use additional sheets of paper if necessary)

This request is for the approval of a drive-thru ATM facility to be located in the SW corner of the existing paved parking lot.

Banklowa will be a tenant, in the existing building, and the drive-thru ATM will be an accessory part of their business.

11 parking spaces will be eliminated with the installation of the ATM facility. 12 new parking spaces are proposed on the adjacent property (Lot 1, Stonefield 7th Addition) which is owned by Banklowa.

SITE PLAN:

Have you attached a site plan? Yes: No:

Please remember a site plan must be submitted and be to a reasonable scale. If you should require assistance please contact the Planning and Development Department.

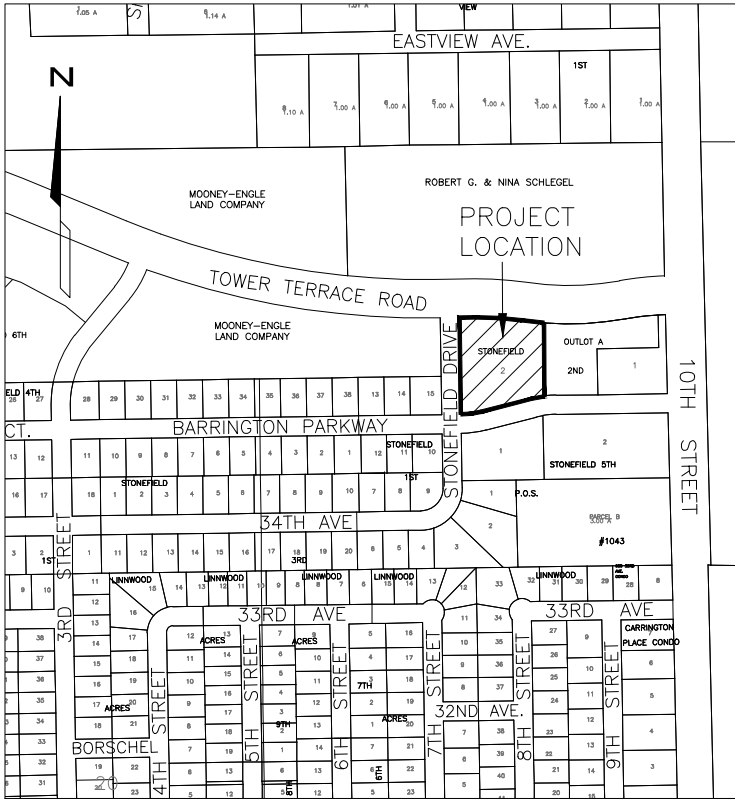
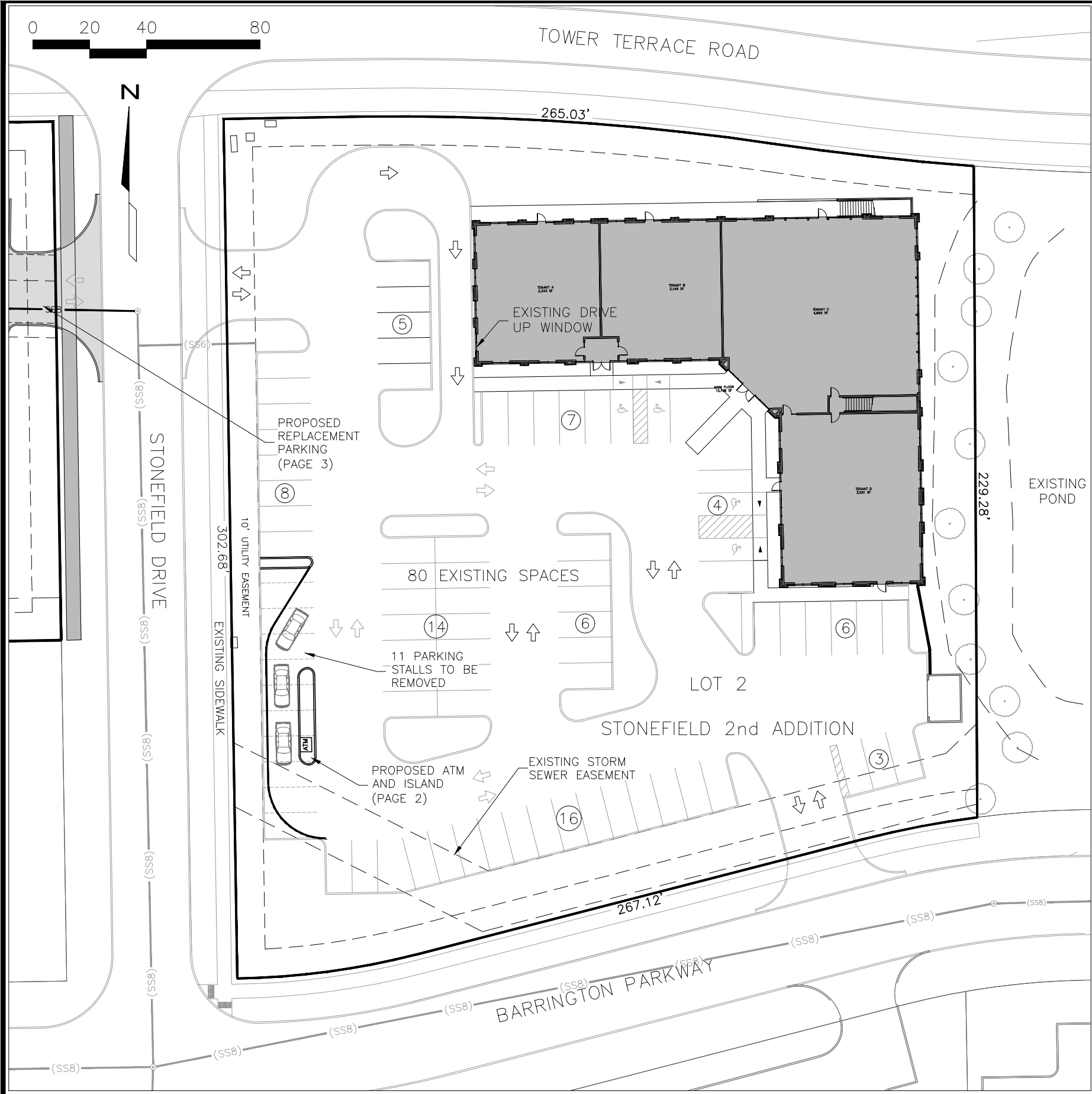
IMPORTANT DATES AND TIMES:

- Zoning Board of Adjustment Deadline – Last weekday of the Month – 4:00 p.m.
- Zoning Board of Adjustment Regular Meeting – 3rd Tuesday of Every Month – 7:00 p.m.

It is requested that the appeal be set for hearing by the Chairperson of the Zoning Board of Adjustment in strict accordance with the provisions of the Code of Ordinances of the City of Marion. Property owner signature is required.

Name: George T. Paul
(Signature)

Date: 6-5-20



LOCATION MAP

1" = 600'

LEGAL DESCRIPTION:

LOT 2, STONEFIELD SECOND ADDITION TO THE CITY OF MARION, LINN COUNTY, IOWA.

PARKING TABULATIONS:

BUILDING USE AREAS:

UPPER LEVEL:
 PROFESSIONAL OFFICE SPACE = 9,143 SQ. FEET
 COMMON AREA - LOBBY, RESTROOM, STAIRS = 722 SQ. FEET
 BANK = 2,243 SQ. FEET
 TOTAL UPPER LEVEL = 12,108 SQ. FEET

LOWER LEVEL:
 MECHANICAL AND STORAGE AREAS - 2,207 SQ. FEET
 LAB AND OFFICE AREAS - 705 SQ. FEET
 TOTAL LOWER LEVEL - 2,912 SQ. FEET

REQUIRED PARKING:

UPPER LEVEL:
 OFFICE SPACE: 7 SPACES PER 1,000 SQ. FEET OF GROSS FLOOR AREA
 (9,865 SQ. FT.) x 7/1,000 = 69.1 SPACES

BANK: 1 SPACE PER 300 SQ. FEET OF GROSS FLOOR AREA
 (2,243 SQ. FT.) x 1/300 = 7.5 SPACES

LOWER LEVEL: 1 SPACE PER 300 SQ. FEET OF GROSS FLOOR AREA FOR LAB AND OFFICE AREAS
 705 SQ. FT. / 300 = 2.4 SPACES

TOTAL REQUIRED = 79 SPACES
 TOTAL SPACES PROVIDED = 81 SPACES (INCLUDES 12 OFF-SITE REPLACEMENT SPACES)

TOTAL HANDICAP SPACES REQUIRED = 4 SPACES WITH 1 VAN ACCESSIBLE
 TOTAL HANDICAP SPACES REQUIRED = 4 SPACES WITH 1 VAN ACCESSIBLE

CONTACT INFORMATION:

APPLICANT:
 ALEX URBINA
 BANKIOWA
 7045 C AVENUE NE
 CEDAR RAPIDS, IA 52402
 PH: 319-395-9100

OWNER:
 PARKS & SCHMIT PROPERTIES, L.C.
 2727 1ST AVENUE SE
 CEDAR RAPIDS, IA 52402
 PH: 319-363-3575

SURVEYOR/ENGINEER:
 BRAIN ENGINEERING, INC.
 1540 MIDLAND COURT NE
 CEDAR RAPIDS, IOWA 52402
 294-9424

REQUESTS:

- 1) CONDITIONAL USE FOR APPROVAL OF DRIVE THROUGH ATM FACILITY IN THE C-3 DISTRICT.
- 2) CONDITIONAL USE FOR APPROVAL OF ATM OPERATION HOURS BETWEEN 11:00 PM AND 6:00 AM.

SITE INFORMATION:

ADDRESS: 901 TOWER TERRACE ROAD
 CURRENT ZONING:
 C-3 (GENERAL COMMERCIAL)
 PROPOSED PROPERTY USE:
 2 STORY LEASE SPACE
 COMPREHENSIVE PLAN LAND USE:
 NEIGHBORHOOD COMMERCIAL

REQUIRED BUILDING SETBACKS;
 FRONT - 12 FEET
 REAR - NONE
 SIDE - NONE
 CORNER SIDE - 12 FEET

Project No. 558220-10	Drawn: DLS	Date: 6/23/2020
	Checked:	Scale: 1" = 40'
	Reviewed:	

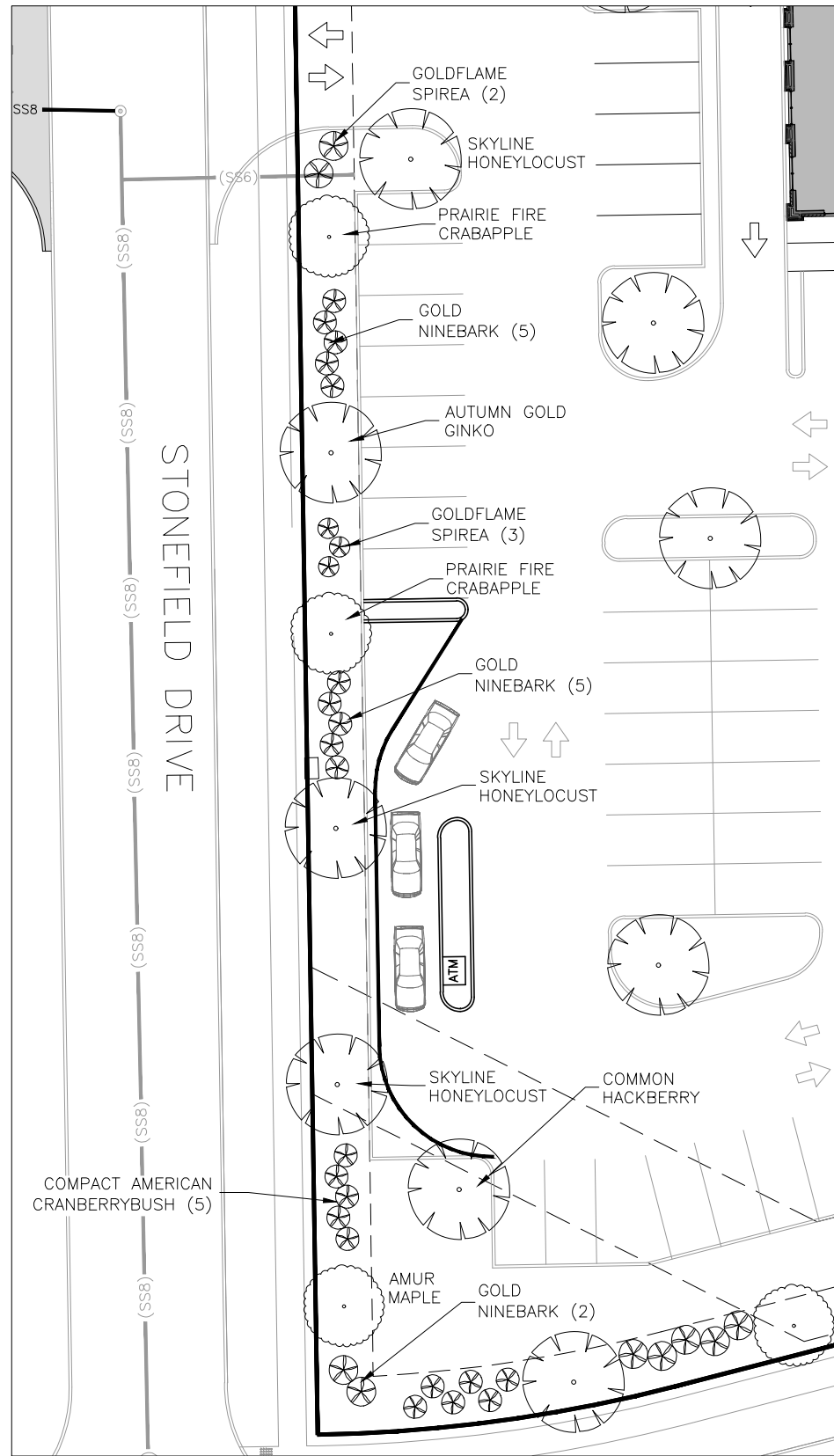
NO.	REVISION DESCRIPTION	BY	DATE



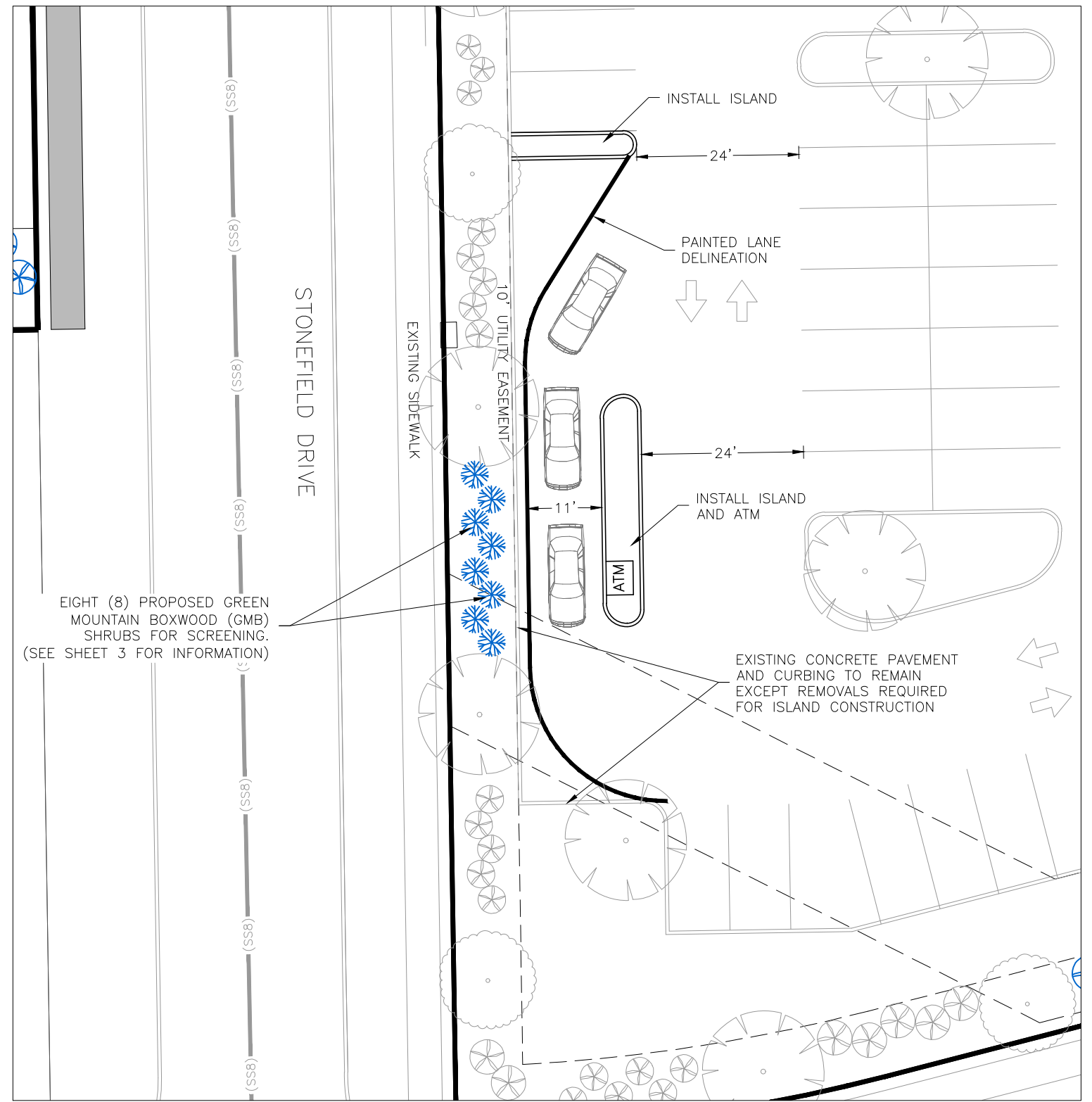
LOT 2
 STONEFIELD SECOND ADDITION
 CITY OF MARION, IOWA

SITE PLAN - CONDITIONAL USE

SHEET
 1/3



EXISTING LANDSCAPING
SCALE: 1" = 30'



PROPOSED ATM SITE PLAN AND LANDSCAPING PLAN
SCALE: 1" = 20'

Project No.
558220-10

Drawn: DLS
Checked: DLS
Reviewed: DLS
Date: 6/23/20
Scale: SEE PLAN

NO.	REVISION DESCRIPTION	BY	DATE



LOT 2
STONEFIELD SECOND ADDITION
CITY OF MARION, IOWA

ATM FACILITY DETAIL
CONDITIONAL USE REQUEST

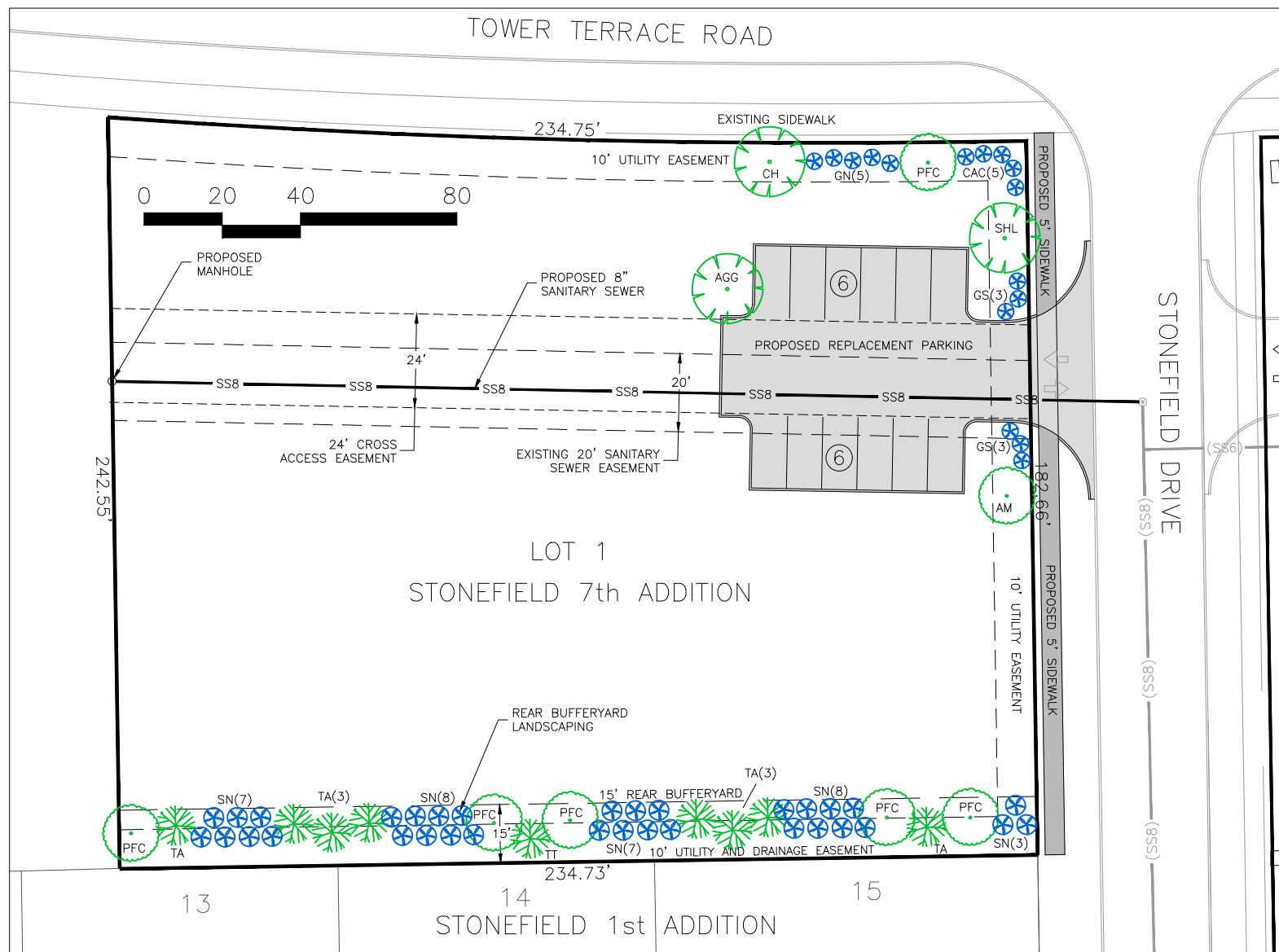
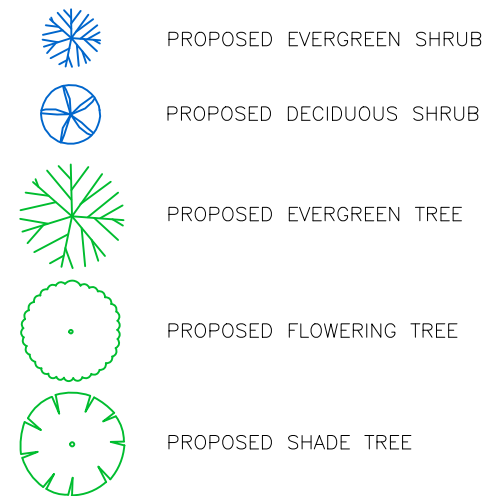
SHEET
2/3

LANDSCAPE SCHEDULE

QTY	ID	DESCRIPTION	MIN. SIZE	ROOT	SPACING	NOTES
1	AGG	AUTUMN GOLD GINKO	2" DBH	BB	SEE PLAN	NURSERY MATCHED, QUALITY SPECIMEN
1	CH	COMMON HACKBERRY	2" DBH	BB	SEE PLAN	NURSERY MATCHED, QUALITY SPECIMEN
1	SHL	SKYLINE HONEYLOCUST	2" DBH	BB	SEE PLAN	NURSERY MATCHED, QUALITY SPECIMEN
6	PFC	PRAIRIE FIRE CRABAPPLE	1-1/2" DBH	BB	SEE PLAN	NURSERY MATCHED, QUALITY SPECIMEN
1	AM	AMUR MAPLE	1-1/2" DBH	BB	SEE PLAN	NURSERY MATCHED, QUALITY SPECIMEN
8	TA	TECHNY ARBORVITAE	2" DBH	BB	SEE PLAN	NURSERY MATCHED, QUALITY SPECIMEN
5	CAC	COMPACT AMERICAN CRANBERRYBUSH	#3	CONTAINER	SEE PLAN	NURSERY MATCHED, QUALITY SPECIMEN

LANDSCAPE SCHEDULE

QTY	ID	DESCRIPTION	MIN. SIZE	ROOT	SPACING	NOTES
6	GS	GOLDFLAME SPIREA	#3	CONTAINER	SEE PLAN	NURSERY MATCHED, QUALITY SPECIMEN
5	GN	GOLD NINEBARK	#3	CONTAINER	SEE PLAN	NURSERY MATCHED, QUALITY SPECIMEN
33	SN	SUMMERWINE NINEBARK	#3	CONTAINER	SEE PLAN	NURSERY MATCHED, QUALITY SPECIMEN
8	GMB	GREEN MOUNTAIN BOXWOOD	#5	CONTAINER	SEE PLAN	NURSERY MATCHED, QUALITY SPECIMEN



PARKING REPLACEMENT AND LANDSCAPE PLAN
SCALE: 1" = 40'



PARKING REPLACEMENT DIMENSIONS
SCALE: 1" = 20'

Project No. 558220-10
 Drawn: DLS
 Checked: Scale: SEE PLAN
 Date: 6/24/20
 Reviewed:

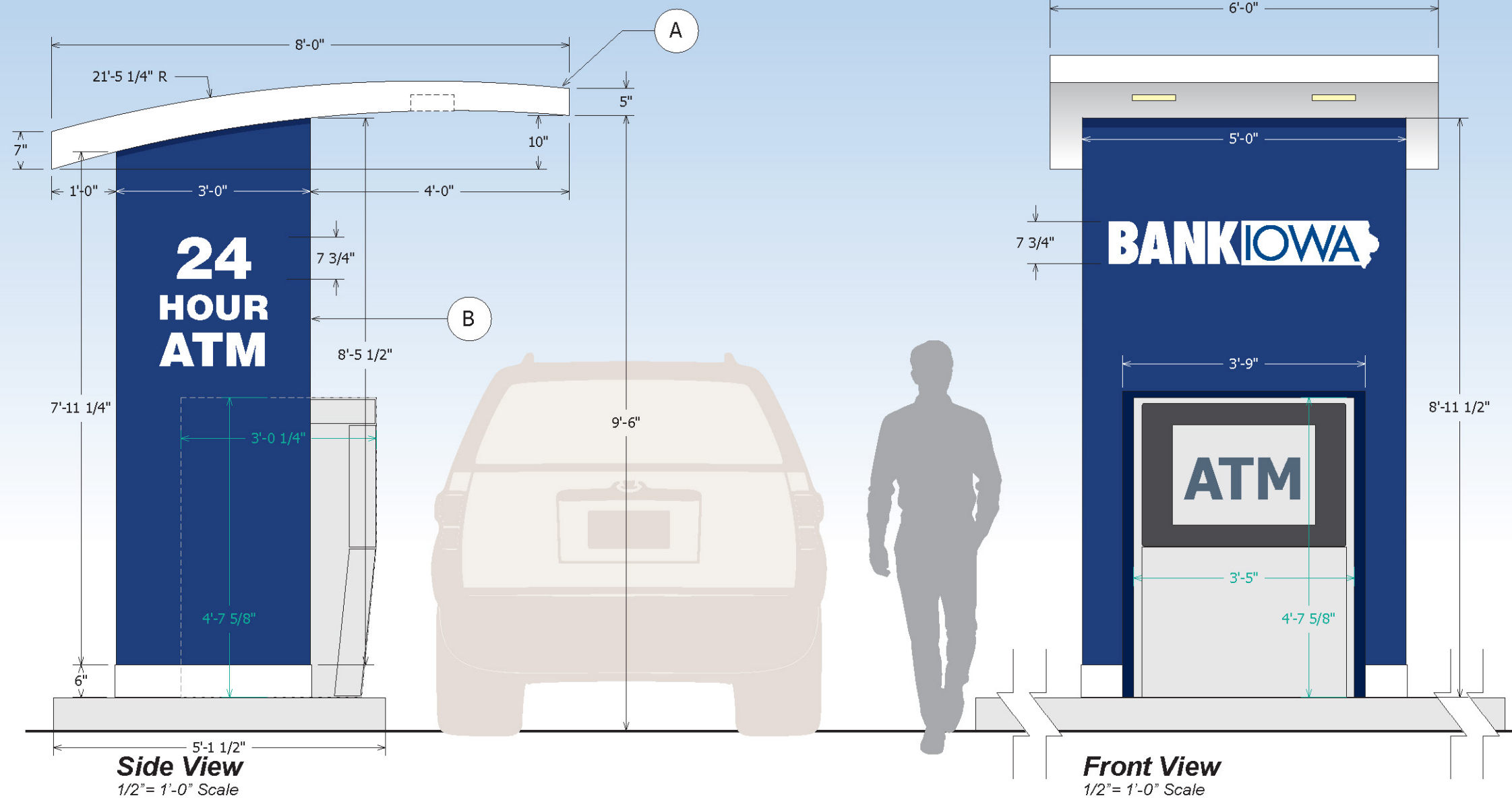
NO.	REVISION DESCRIPTION	BY	DATE



LOT 2
 STONEFIELD SECOND ADDITION
 CITY OF MARION, IOWA

REPLACEMENT PARKING DETAIL
 CONDITIONAL USE REQUEST

SHEET
 3/3



3M 7725-10 WHITE PAINT & VINYL
 PANTONE 287 C BLUE PAINT

MQ JOB DETAILS

TOTAL SQ. FT. OF SIGNAGE: 52 SQ FT
APPROX. VIEWING DISTANCE OF COPY: UP TO 193 FT

ILLUMINATED EXTERIOR ATM COVER WITH ROOF.

A) FABRICATE ROOF USING KERF CUT 1 1/2" ALUMINUM TUBE AND ALUMINUM ANGLE SKINNED WITH ALUMINUM SHEET. PAINT AS PER PRINT. FABRICATE PLATES TO BOLT ROOF STRUCTURE TO STEEL STRUCTURE IN THE BODY OF SIGN. INSTALL 2 RECESSED LIGHTS AS PER PRINT.

B) FABRICATE COVER USING 1 1/2" ALUMINUM TUBE SKINNED WITH ALUMINUM SHEET. NEED A SERVICE DOOR FOR ACCESS TO FRAME. PAINT AND APPLY VINYL GRAPHICS AS PER PRINT. FABRICATE STEEL SUPPORT STRUCTURE USING 3" AND 2" SQUARE STEEL TUBE AND 2" ANGLE. WELD STEEL SUPPORTS TO (2) 1/2" ROUTED STEEL PLATES. USE THUNDERSTUD CONCRETE FASTENERS TO ANCHOR FRAME IN PLACE AROUND ATM. FABRICATE PLATES TO ATTACH ROOF. SECURE COVER TO STEEL FRAME USING MECHANICAL FASTENERS. FOLDED ALUMINUM TO CREATE MOLDING, PAINT AS PER PRINT.

MQ REVISIONS

R1:	
R2:	
R3:	
R4:	

DESIGN APPROVED BY: _____
 AUTHORIZED SIGNATURE _____
 DATE _____
 LANDLORD SIGNATURE _____
 DATE _____



Copyright © MediaQuest Sign Company, LLC. All Rights Reserved.

5100 20th Ave SW, Cedar Rapids, IA 52404

MQ Phone: 319.848.7446 MQ Fax: 319.363.3786 MQ mediaquestsigns.com

UNLESS OTHERWISE SPECIFIED:

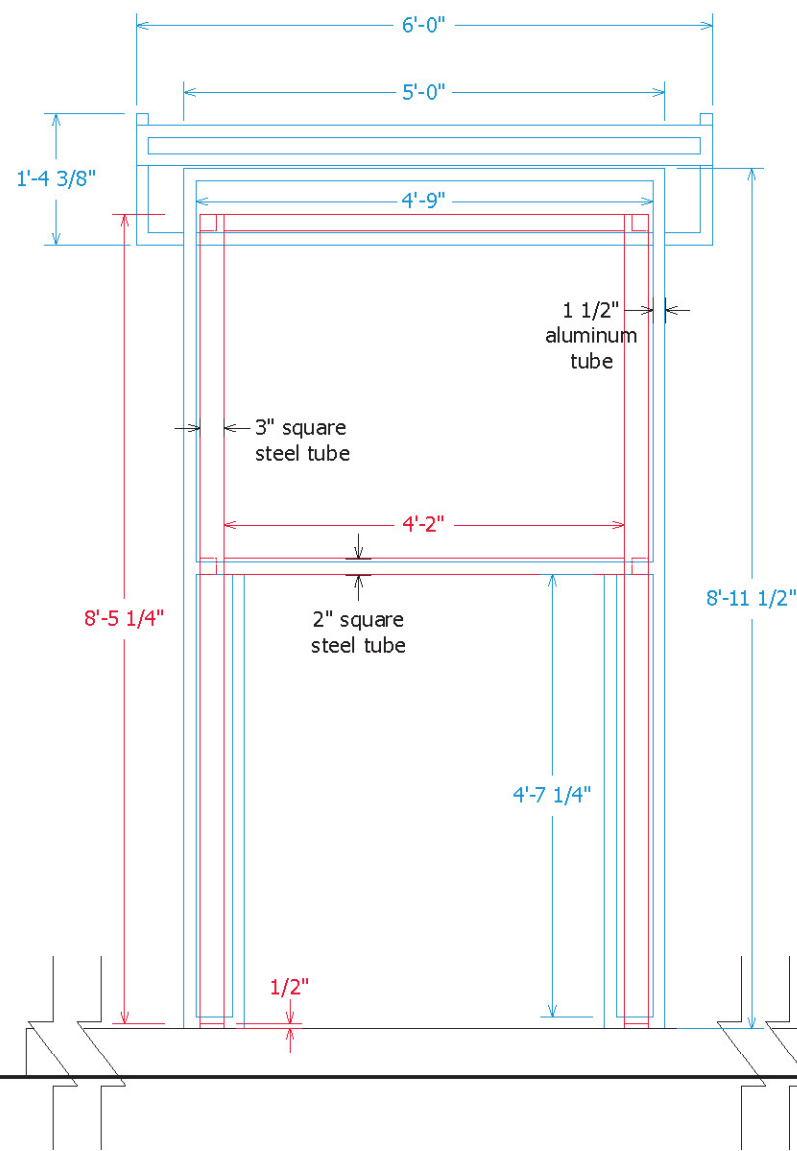
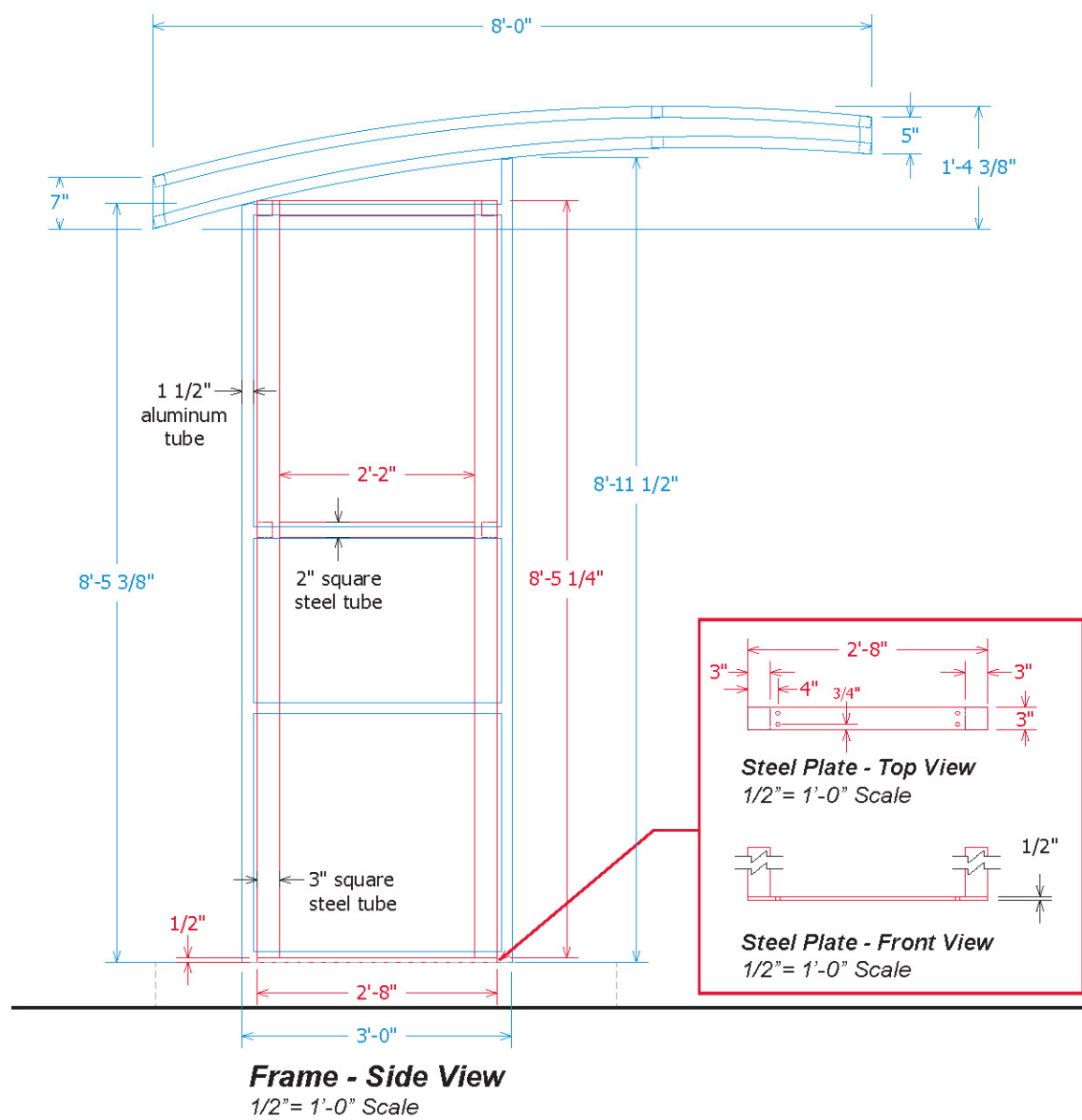
- ALL FLUORESCENT LAMPS WILL BE T12-CW-HO
- ALL BALLASTS WILL BE COLD-START ALL-WEATHER BALLASTS
- 120V PRIMARY POWER TO SIGNS WILL BE BY OTHERS
- ALL DATA LINES TO ELECTRONIC SIGNAGE WILL BE BY OTHERS
- ALL PAINT COLORS WILL BE SEMI-GLOSS FINISH

THIS IS AN ORIGINAL COMPUTER GENERATED COLOR PRINT. COLORS REPRESENTED ON THIS PRINT MAY NOT MATCH THE PMS CHIP, VINYL OR PAINT COLORS EXACTLY. IT IS TO BE VIEWED AS A REPRESENTATION ONLY. ALL DESIGNS ARE THE SOLE PROPERTY OF MEDIAQUEST SIGNS. THEY ARE ONLY FOR CUSTOMER USE IN CONNECTION WITH OUR PROPOSED PROJECT. ARTWORK AND PRINTED MATERIAL ARE NOT TO BE USED BY ANYONE OUTSIDE OF YOUR ORGANIZATION, NOR IS IT TO BE REPRODUCED, COPIED OR EXHIBITED IN ANY FORM WITHOUT THE CONSENT OF MEDIAQUEST SIGNS.

FILE NAME: BANKIOWA_MAR_TT_ATM1_00
 JOB NAME: BANK IOWA - MARION TOWER TERRACE
 LOCATION: MARION, IA
 DATE: 06.19.2020
 SCALE: 1/2" = 1'
 DESIGN: SS
 SALES: CL

IF THIS PRINTS ONTO ARTWORK PAGE THE FILE HAS BEEN SIZED TO FIT PAPER AND WILL NOT BE TO SCALE - UNCHECK THE FIT TO PAGE BOX IN ADOBE TO PRINT A SCALE PRINT

IF THIS PRINTS ONTO ARTWORK PAGE THE FILE HAS BEEN SIZED TO FIT PAPER AND WILL NOT BE TO SCALE - UNCHECK THE FIT TO PAGE BOX IN ADOBE TO PRINT A SCALE PRINT



■ Aluminum ■ Steel

MEDIAQUEST
SIGNS

Copyright © MediaQuest Sign Company, LLC. All Rights Reserved.

5100 20th Ave SW, Cedar Rapids, IA 52404

MQ Phone: 319.848.7446

MQ Fax: 319.363.3786

MQ mediaquestsigns.com

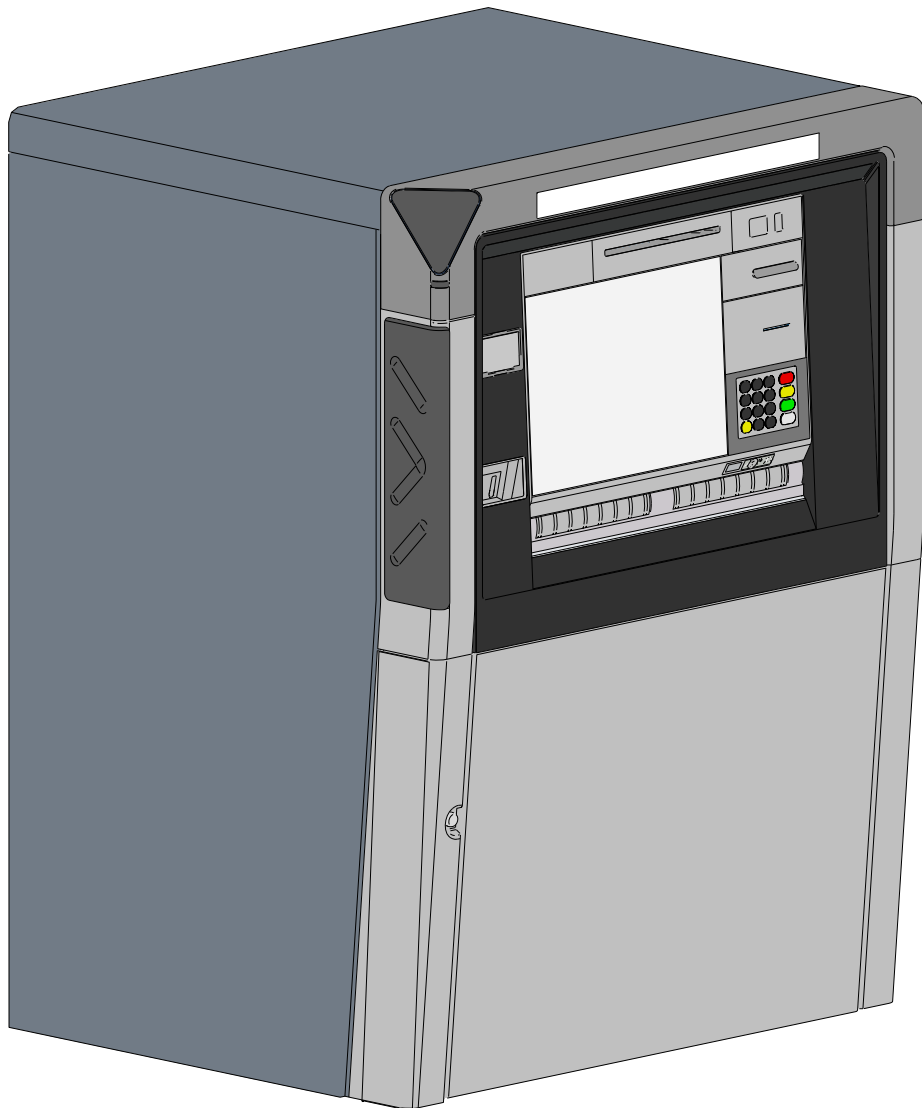
UNLESS OTHERWISE SPECIFIED:

- ALL FLUORESCENT LAMPS WILL BE T12-CW-HO
- ALL BALLASTS WILL BE COLD-START ALL-WEATHER BALLASTS
- 120V PRIMARY POWER TO SIGNS WILL BE BY OTHERS
- ALL DATA LINES TO ELECTRONIC SIGNAGE WILL BE BY OTHERS
- ALL PAINT COLORS WILL BE SEMI-GLOSS FINISH

THIS IS AN ORIGINAL COMPUTER GENERATED COLOR PRINT. COLORS REPRESENTED ON THIS PRINT MAY NOT MATCH THE PMS CHIP, VINYL OR PAINT COLORS EXACTLY. IT IS TO BE VIEWED AS A REPRESENTATION ONLY. ALL DESIGNS ARE THE SOLE PROPERTY OF MEDIAQUEST SIGNS. THEY ARE ONLY FOR CUSTOMER USE IN CONNECTION WITH OUR PROPOSED PROJECT. ARTWORK AND PRINTED MATERIAL ARE NOT TO BE USED BY ANYONE OUTSIDE OF YOUR ORGANIZATION, NOR IS IT TO BE REPRODUCED, COPIED OR EXHIBITED IN ANY FORM WITHOUT THE CONSENT OF MEDIAQUEST SIGNS.



NCR SelfServ™ 88 ATM Site Preparation



The product described in this document is a licensed product of NCR Corporation.

NCR and NCR SelfServ are trademarks of NCR Corporation. Other product names mentioned in this publication may be trademarks or registered trademarks of their respective companies and are hereby acknowledged.

Where creation of derivative works, modifications or copies of this NCR copyrighted documentation is permitted under the terms and conditions of an agreement you have with NCR, NCR's copyright notice must be included.

It is the policy of NCR Corporation (NCR) to improve products as new technology, components, software, and firmware become available. NCR, therefore, reserves the right to change specifications without prior notice.

All features, functions, and operations described herein may not be marketed by NCR in all parts of the world. In some instances, photographs are of equipment prototypes. Therefore, before using this document, consult with your NCR representative or NCR office for information that is applicable and current.

NCR Proprietary Information - not to be disclosed or reproduced without written consent.

© 2017 by NCR Corporation, Duluth, Georgia, U.S.A. <http://www.ncr.com>.
All Rights Reserved

Contents

Introduction

Audience	1 - 1
About This Document	1 - 1
Revision Record	1 - 1

Customer Responsibilities

Notice	2 - 1
Site Compliance	2 - 1
Customer Actions	2 - 1

Standards Compliance

Radio Frequency Interference	3 - 1
FCC Radio Frequency Interference Statement	3 - 1
Canadian Class A Device Declaration.....	3 - 1
Safety	3 - 1
Safety Directive.....	3 - 1
Harmonised Safety Standard.....	3 - 1
Electromagnetic Compatibility (EMC).....	3 - 1
Immunity Standards	3 - 1
EMC Directives.....	3 - 1
Emission Standards.....	3 - 1
Additional Requirements for 220V - 240V Units	3 - 1
Accessibility	3 - 1

Product Overview

General Description	4 - 1
Acoustics	4 - 1
Heat Dissipation.....	4 - 1
Product Identification	4 - 1

Site Requirements

Positioning the ATM	5 - 1
Island	5 - 1
Ambient Lighting.....	5 - 1
Task Lighting	5 - 1
Barometric Pressure	5 - 1
Temperature and Humidity	5 - 1
Normal Operating Range	5 - 1
Storage Range (Up To Three Months)	5 - 1
Transit Range (Up To One Week)	5 - 1
Extreme Power On Range (Up To One Hour)	5 - 1

Power Requirements

AC Power Requirements.....	6 - 1
Input Voltage	6 - 1
Grounding	6 - 1

Transient Power Loss.....	6 - 1
Transient Protection.....	6 - 1
Transient Protection Products.....	6 - 1
AC Wiring Details	6 - 2
AC Distribution Wiring Diagram	6 - 2
Third Party Surround/Topper Wiring	6 - 3
Customer Responsibilities	6 - 3
NCR Responsibilities	6 - 3
Recommended Wiring.....	6 - 3
When Wiring Cannot be Routed Externally	6 - 3
Topper Hole Location	6 - 3

Cable Requirements

Cable Preparation	7 - 1
Data Line Transient Protection	7 - 1
Transient Protection Products.....	7 - 1
Alarm Interface Cables	7 - 1
Basic Alarm Cable	7 - 1
Enhanced Alarm Cable	7 - 1
Remote Status Monitor	7 - 2
Shortening the Cable.....	7 - 2
Remote Relay Cable.....	7 - 2
Ethernet Standard Cable	7 - 2
Power Cable.....	7 - 2

Decals

Entry/Exit Decals	8 - 1
-------------------------	-------

Variant Details

Package Dimensions	9 - 1
ATM Dimensions.....	9 - 1
Weight	9 - 1
Standard Security Enclosures	9 - 1
Island Dimensions and Bollard Locations	9 - 1
Anti-theft Bollards	9 - 1
Security Bolts	9 - 2
Bolt Holes	9 - 2
Cable Entry	9 - 2
ATM Cable Entry.....	9 - 2
Vents Location - Air Flow.....	9 - 3
Clearances - Corridor	9 - 3
Clearances - Facia Opening.....	9 - 3
Clearances - Cosmetic Door.....	9 - 3
Facia Items.....	9 - 4
15" Touchscreen.....	9 - 4
19" Touchscreen.....	9 - 4
Touchscreen Dimensions	9 - 4
Heights and Depths	9 - 4
Distance for Voice Guidance	9 - 4

Servicing Areas	9 - 5
Optimum	9 - 5
Minimum.....	9 - 5

AUDIENCE

This document is intended for architects and those responsible for preparing a site prior to the arrival of the ATM.

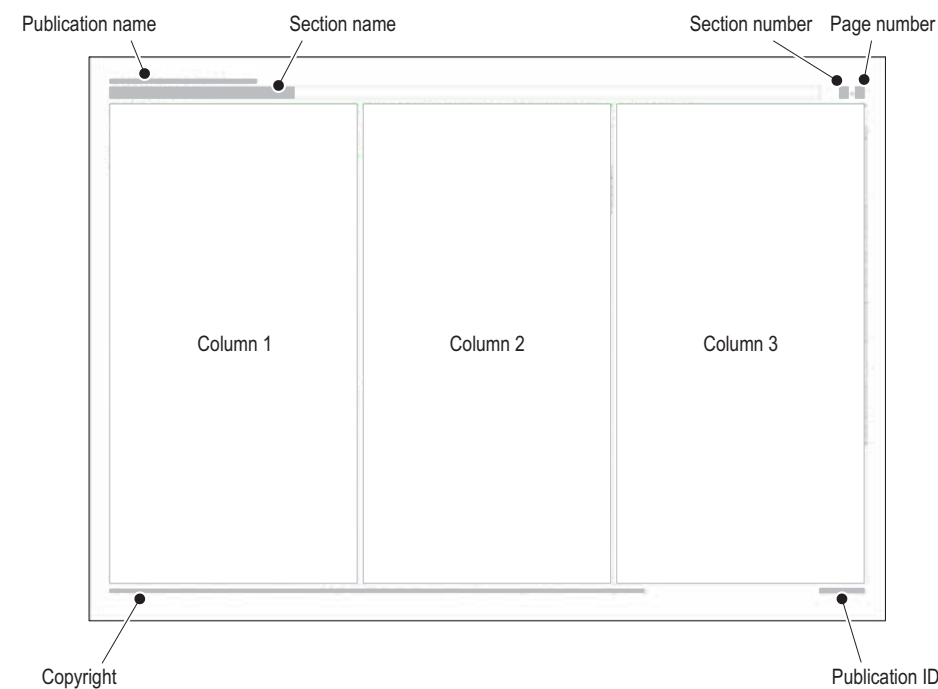
ABOUT THIS DOCUMENT

This site preparation document is designed to be read on wide aspect ratio screens. Each section has been structured to fit the maximum amount of information on the minimum number of pages yet still be readable when printed on A3 size paper. Printing on smaller paper sizes may reduce readability but will make handling easier.

The document is organised into sections covering the following topics:

- Introduction - this section
- Customer Responsibilities
- Standards Compliance
- Product Overview
- Site Requirements
- Power Requirements
- Cable Requirements
- Decals
- Variant Details

Each page has two or three columns laid out as follows:



Where left and right side are stated the ATM is viewed from the front (facia side) of the ATM. All plan views are from the top unless otherwise stated.

Unless otherwise stated all dimensions are rounded to the nearest millimetre and equivalent decimal of an inch.

REVISION RECORD

Date	Revision	Pages	Reason for Change
January 2017	A	All	Initial release

NOTICE

This is a contractual document. It contains important warnings and confers important legal rights and obligations. You are advised to read it carefully.

It is the responsibility of you, the customer, to assure that all installation preparations are complete and in compliance with all specifications and requirements of NCR and all applicable national, state, or local codes, regulations and laws.

This equipment must be installed and used in strict accordance with the manufacturer's instructions. However, there is no guarantee that interference to radio communications will not occur in a particular commercial installation. If this equipment does cause interference, which can be determined by turning the equipment off and on, the user is encouraged to consult an NCR service representative immediately.



CAUTION NCR Corporation is not responsible for any radio or television interference caused by unauthorized modifications of this equipment or the substitution or attachment of connecting cables and equipment other than those specified by NCR. Such unauthorized modifications, substitutions, or attachments may void the user's authority to operate the equipment. The correction of interference caused by such unauthorized modifications, substitutions, or attachments will be the responsibility of the user.

SITE COMPLIANCE

This document contains the information necessary for the preparation of a site conforming to NCR specifications. It is very important that the site complies with the requirements specified in this document, because, once the equipment has been installed, deficiencies in site preparation or the problems caused by these deficiencies are much more difficult to detect and correct.

Further, failure to comply with these requirements or to take proper steps to protect equipment against risks identified in this document may cause serious damage to the equipment and to the customer's business.

In addition to the need to comply with the requirements specified, electrical wiring and mechanical systems must also comply with all relevant codes, laws and regulations.

It is important that the site be prepared by a customer or his agent who is fully conversant with the special requirements of electronic equipment. The responsibility for ensuring that the site is prepared in compliance with this document remains with the customer.

For information and guidance purposes only, a list is provided, in general terms, of those matters for which the customer is responsible. This list is not intended to be comprehensive, and in no way modifies, alters, or limits the responsibility of the customer for all aspects of adequate site preparation.

NCR staff will be available to answer questions relating to the contents of this document but, except where:

- a. the customer has been notified that a full or partial consultancy service is available and/or that NCR will be willing to undertake a preliminary or final site survey and
- b. the customer shall have entered into a formal contract with NCR for provision of the same

no comment, suggestion or advice offered or not offered about preparation of the site nor any inspection of the site whether before or after preparation is to be taken as approval of the location of the site and equipment or of its preparation and NCR will not be liable in respect of any comment, suggestion or advice given by its staff or in respect of any failure to give advice.

- Finally, only the customer can know the full extent of damage which may be caused to his business by reason of failure of the equipment which is to be installed. For this reason it is the customer's responsibility to ascertain the extent of any such possible damage to his existing or planned business, and to effect, full insurance in respect of it.

CUSTOMER ACTIONS

The customer must do or provide the following:

- When required by NCR, provide the NCR customer service representative with appropriate drawings that indicate:
 - Location of the equipment
 - Site wiring (power and signal, paths and lengths)
- Location of other equipment capable of generating electrical noise, electromagnetic interference, heat, etc.
- Make building alterations necessary to meet wiring and other site requirements.
- Provide and install all communications cables, wall jacks, special connectors, and associated hardware.
- Provide and install necessary power distribution boxes, conduits, grounds, lightning protection, and associated hardware.
- Make sure all applicable codes, regulations and laws (including, but not limited to, electrical, building, safety, and health) are met.
- Provide and install auxiliary power or other equipment as required.
- Provide storage or service areas as required.
- Make sure the environmental requirements of the system/unit are met.
- Provide floor coverings and environmental systems that limit or control static electricity build-up and discharge.
- Install the product at a height which meets the accessibility regulations of the relevant country.

RADIO FREQUENCY INTERFERENCE

FCC Radio Frequency Interference Statement

This equipment has been tested and found to comply with the limits for a Class A digital device, pursuant to Part 15 of the Federal Communications Commission (FCC) Rules. These limits are designed to provide reasonable protection against harmful interference when the equipment is operated in a commercial environment. This equipment generates, uses, and can radiate radio frequency energy and, if not installed and used in accordance with the instruction manual, may cause harmful interference to radio communications. Operation of this equipment in a residential area is likely to cause harmful interference in which case you, the customer, will be required to correct the interference at your own expense.

Canadian Class A Device Declaration

This digital apparatus does not exceed the Class A limits for radio noise emissions from digital apparatus set out in the Radio Interference Regulations of the Canadian Department of Communications.

Le présent appareil numérique n'émet pas de bruits radioélectriques dépassant les limites applicables aux appareils numériques de la classe A prescrites dans le Règlement sur le brouillage radioélectrique édicté par le ministère des Communications du Canada.

SAFETY

Safety Directive

- 73/23/EEC, 93/68/ECC 'Low Voltage Directive and Amendment'.

Harmonised Safety Standard

- EN 60950-1: 2006 'Information Technology Equipment - Safety'
- EN 60950-22: 2006 'Information Technology Equipment - Safety' Equipment installed Outdoors

ELECTROMAGNETIC COMPATIBILITY (EMC)

Immunity Standards

The ATM complies with the following requirements for radiated and conducted immunity:

- EN 55024 (1998)/+A1: 2001, A2: 2003

As per the requirements of EN55024, the ATM complies with the requirements of the following normative Immunity Standard:

- EN 61000-4-2 Electrostatic Discharge
- EN 61000-4-3 Radiated RF
- EN 61000-4-4 Electrical Fast Transient/Burst
- EN 61000-4-5 Surge
- EN 61000-4-6 Conducted RF
- EN 61000-4-8 Power Frequency Magnetic Field
- EN 61000-4-11 Voltage Dips/Short Interruption.

EMC Directives

This equipment has been found to comply with the essential requirements of EMC Directive 2014/30/EU, by testing to harmonized standards EN55032, EN55024, EN61000-3-2 and EN61000-3. The equipment complies with the limits for a Class A digital device, pursuant to EN55032.

The ATM complies with the following Electromagnetic Compatibility (EMC) directives and standards for IT equipment:

- 2014/30/EU 'EMC Directive'
- 93/68/EEC 'CE Marking Directive'

Emission Standards

The ATM complies with the following requirements for radiated and conducted emissions:

- EN55032 Class A
- FCC 47CFR Part 15. Class A
- CISPR 32 Class A
- AS/NZS 3548 Class A
- GB 9254 Class A
- CNS 13438 Class A.



WARNING This equipment is compliant with Class A of CISPR 32. In a residential environment this equipment may cause radio interference.

Additional Requirements for 220V - 240V Units

The ATM complies with the following requirements for conducted emissions:

- EN 61000-3-2: 2000, Mains harmonics, Class A
- EN 61000-3-3: 1995/+A1: 2001, Mains flicker.

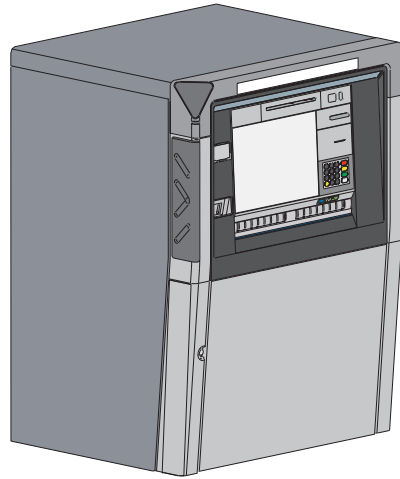
ACCESSIBILITY

It is the responsibility of the owning institution to ensure that the heights from the sidewalk level to the fascia items comply with any local regulations.

Note: The heights listed in this document assume that the installation does not add depth in front of the ATM. Increased depth may change the height requirements due to increasing the user's reach, therefore please refer to the relevant accessibility regulation if additional depth has been added.

GENERAL DESCRIPTION

The NCR SelfServ 88 is a drive-up (Automated Teller Machine (ATM) which can also be deployed as a walk-up ATM.



Options

Security Enclosure

- CEN 1

ACOUSTICS

For most variants the acoustics sound power does not exceed:

- 65 dB(A) when idle
- 68 dB(A) when operating (see note).

However, the following configurations will affect the sound levels as shown in the table below:

Configuration	Acoustic sound power when operating
Coin	does not exceed 72 dB(A)
Cooling fans	does not exceed 75 dB(A)
Air conditioner	does not exceed 78 dB(A)

HEAT DISSIPATION

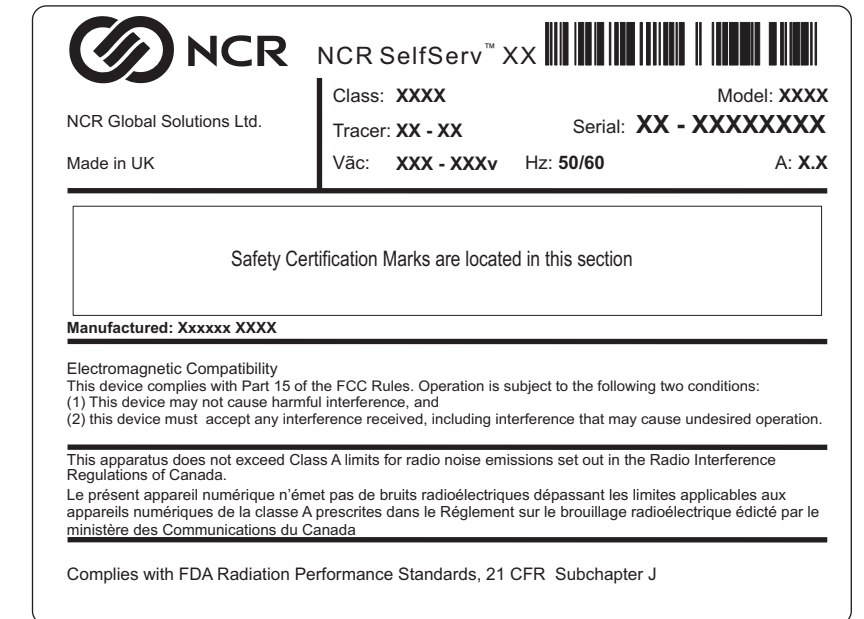
The NCR SelfServ product range is a flexible hardware platform. NCR recommends that actual power measurements are taken and used to establish the heat dissipation for specific hardware configurations. These measurements should include any custom or third party features.

Where specific measurements are not available then, as a guide, **760 KJ/hour** can be used as an indicative heating load. This figure is based on an ATM in idle mode, with a medium to high feature functionality configuration.

Heat dissipation figures are largely unaffected by transactional rates.

PRODUCT IDENTIFICATION

The illustration below is typical of the layout of the product identification label which is fixed inside the ATM.



The product is identified by a class and a 4 digit model number. The serial number is unique to each ATM. The tracer number is used to identify where the ATM was built.

Please quote all of the serial and tracer numbers, including the prefix, when making reference to the ATM.

Electrical rating information is also shown on the product label.

POSITIONING THE ATM

Position the ATM where bright sunlight will not fall directly on the display.

Allow sufficient room for installation and servicing requirements.

Do not obstruct access to the air conditioning unit, if fitted.



CAUTION The ATM is designed to withstand exposure to rainfall. However do not locate it where it may be exposed to water spray, for example, from vehicles driving through puddles.

ISLAND

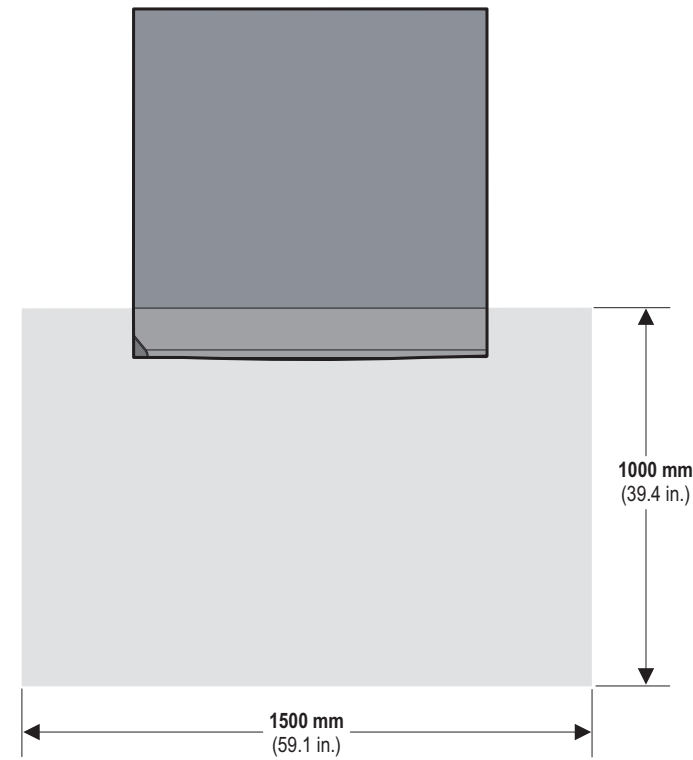
The ATM is designed for installation on a concrete island. The island must be level and even.

The ATM must be installed on an island, or base, capable of supporting the maximum weight including media. Only the maximum weight should be considered as additional options may be added after installation. Floor loading is calculated by dividing the maximum weight of the ATM by the surface area of the ATM base in contact with the floor.

Service areas, ATM weights and floor loading for your ATM can be found in the Variant Details section.

AMBIENT LIGHTING

If the ATM is fitted with a camera, it is strongly recommended that there is a minimum of **50 LUX** lighting at floor level within the area illustrated below.

**TASK LIGHTING**

A minimum of **200 LUX** is required for task lighting.

BAROMETRIC PRESSURE

- Operating/Transit Limits: **105 kPa** (15.2 lb.F/in.) to **70 kPa** (10.2 lb.F/in.)
- Equivalent Altitude: Up to a maximum of **3000 m** (9842.52 ft)

TEMPERATURE AND HUMIDITY

Continuous operating at or near the range limits, or in a location where the temperature and humidity change beyond the specification, should be avoided.

Normal Operating Range

- Temperature: **-35°C to 50°C** (-31°F to 122°F)
- Relative Humidity: **10% to 100%**
- Dew Point Temperature Restriction: **26°C** (79°F) maximum

Storage Range (Up To Three Months)

- Temperature: **-10°C to 50°C** (14°F to 122°F)
- Relative Humidity: **10% to 90%**

Transit Range (Up To One Week)

- Temperature: **-40°C to 60°C** (-40°F to 140°F)
- Relative Humidity: **5% to 95%**

Extreme Power On Range (Up To One Hour)

- Temperature: **0°C to 45°C** (32°F to 113°F)
- Relative Humidity: **10% to 95%**

AC POWER REQUIREMENTS

The maximum current requirements are:

- 30A at 120V
- 15A at 230V.

The maximum inrush current is:

- 50A peak at 136V
- 80A peak at 257V.



CAUTION Power to the ATM is to be a dedicated 30A service. The ATM must comply with local code requirements and be protected with a 30A circuit breaker.

NCR does not recommend running an ATM with deposit devices without an Uninterruptible Power Supply (UPS). Without a UPS, there is the potential for customer's cash to be retained in the device if there is a power failure.

INPUT VOLTAGE

The ATM can operate from the following input mains voltages:

- 90V to 136V at 50/60Hz
- 198V to 257V at 50/60Hz.

GROUNDING

The ATM operates from a single phase, 3 wire supply; live, neutral and ground. The power requirements of this unit require a dedicated hard wired connection.

Where the supply is provided from a general purpose distribution panel, then the other branch circuits from this panel must not be used to supply heavy inductive loads such as air conditioners, AC motors.

Consideration should be given to the following;

- the installation meets or exceeds the regulatory and local guidelines with regard to electrical safety and all conductor sizing
- the location of the ATM with regard to cable runs and also nature of neighbouring electrical equipment.

The normal and safe operation of this ATM is dependant on the above. Only qualified personnel that meet local certification standards should be permitted to ensure compliance.

Note that the building ground point can also affect data integrity. For additional information refer to [Data Line Transient Protection](#) in the [Cable Requirements](#) section.

TRANSIENT POWER LOSS

The voltage loss due to power interruptions must not be more than 50% of the nominal value for a maximum of one half cycle at a maximum rate of 1 every 10 seconds.

TRANSIENT PROTECTION

In the process of power distribution, transient electrical energy (including, but not limited to, lightning strikes, intermittent short circuits, and switching transients) can be introduced on to power lines. Such transient energy can be very damaging to electronic hardware and can also cause data corruption. Under these circumstances, NCR recommends the use of AC power transient suppressors and data (communication) line transient suppressors. Such protective devices are intended to guard against power and data line transients that can result in hardware damage and various system or program errors.

Improvement of any deficiencies in power quality is a customer responsibility. Malfunction and/or component failure as a result of power quality problems are/is not covered by NCR Corporation Maintenance Agreement. NCR accepts no liability for any such occurrence nor for its consequences.

When power transient suppression is required, the suppressors used should meet the following minimum requirements:

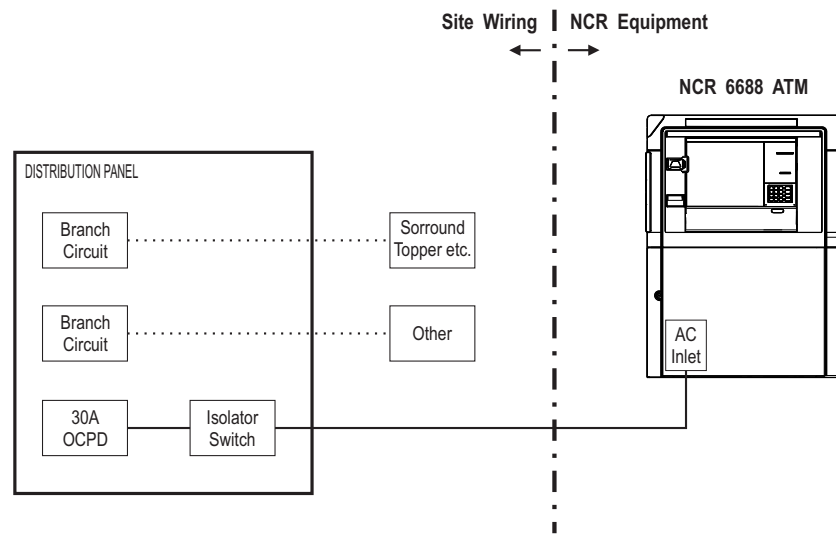
- Dissipate energy to match the appropriate application categories as defined by ANSI/IEEE Standard C62.41, Guide on Surge Voltages in Low-Voltage AC Power Circuits.
- Be of the voltage limiting (clipping), or tracking filter type. The suppressor must not 'clamp' the voltage to zero, and must self-recover after the passage of the transient. The suppressor may be of the hybrid type construction that makes use of various technologies in order to meet speed and dissipation requirements.
- Exhibit a 'short circuit' mode upon its failure, thus providing a positive indication of its failure such as a blown fuse or tripped breaker
- Be listed by the accepted safety organization for the country involved (e.g. UL, CSA, VDE, ETL, etc.) and the installation must conform to local, state, and national electrical codes and regulations.

Location Category	Comparable to IEC No 664 Category	Transient	
		Waveform	Amplitudes
B = Major feeders, short branch circuits, and load centres	III	Volts = 1.2 x 50 μs	6kV
		Current = 8 x 20 μs	3kA
C = Service Entrance and run to load centre	IV	0.5 μ Rise - 100 kHz	6kV
		Ringwave	500A
C = Service Entrance and run to load centre	IV	Volts = 1.2 x 50 μs	10kV or more
		Current = 8 x 20 μs	10kA or more

Transient Protection Products

NCR provides a full range of both AC power and data line transient surge suppressors to protect your ATM. For more information, please call NCR Site Preparation Services for more information.

AC WIRING DETAILS

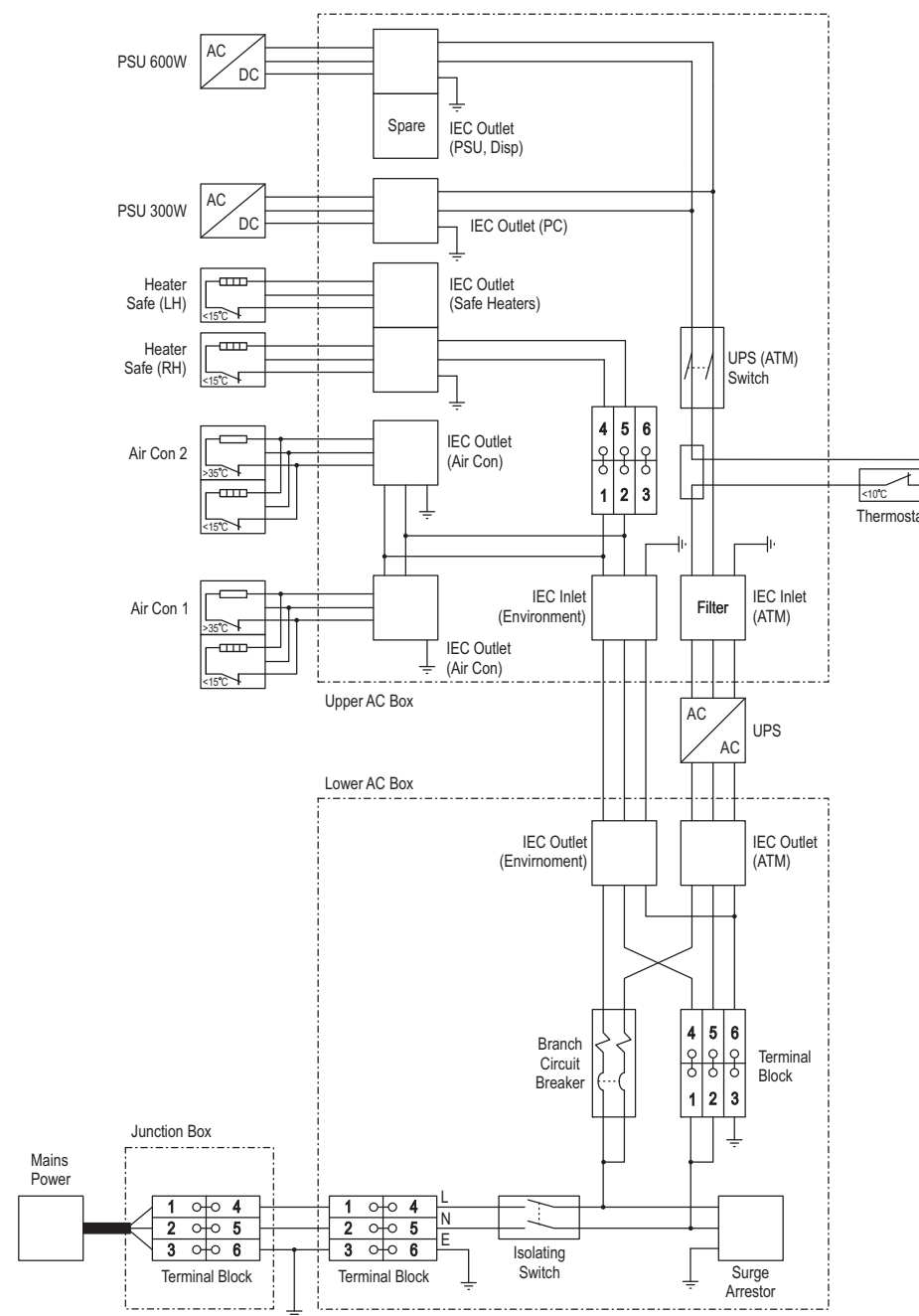


Note 1: Dedicated 30A Service - The NCR SelfServ 88 ATM must have a dedicated 30A service.

Note 2: Branch Circuits - The conductors (L, N, E) must comply with all national and local regulations.

Note 3: Distribution Panel - The distribution panel must be free of heavy start loads and other electrically noisy equipment.

AC Distribution Wiring Diagram



THIRD PARTY SURROUND/TOPPER WIRING

The following information is for guidance only, when providing power to a third party surround/topper outside of the ATM.

It is the responsibility of the customer to make sure that all site preparations are complete and in compliance with NCR specifications and requirements and with all national, state or local electrical codes, telephone and telegraph regulations and laws.

Customer Responsibilities

The customer **must** make sure of the following:

- Power is from a separate dedicated source and is not tapped into the ATM's dedicated 30A circuit (which is required to provide power to the ATM only)
- Surround/topper, or other equipment, is not plugged onto the internal AC outlet or power bar (if fitted)
- NCR recommends external routing, however, if power is routed internally through the ATM, it is routed safely and securely and does not interfere with any internal module functions
- All applicable codes, regulations and laws (including but not limited to electrical, building, safety and health, disabilities) are met
- The environmental requirements of the system/unit are met.



CAUTION The power cable must be connected by a certified electrician.

NCR Responsibilities

NCR Corporation is not responsible for any modifications or wiring of this equipment. Such modifications may void the customer's authority to operate the equipment. The correction of interference caused by such modifications will be the responsibility of the customer.

Recommended Wiring

It is recommended that power to the surround/topper be routed externally, outside of the ATM, ensuring all codes, regulations and laws are met. Electrical conduit may be attached to the outside of the ATM.

The power must be from a dedicated source separate from the ATM.

The illustration below shows two examples of correct external wiring methods.

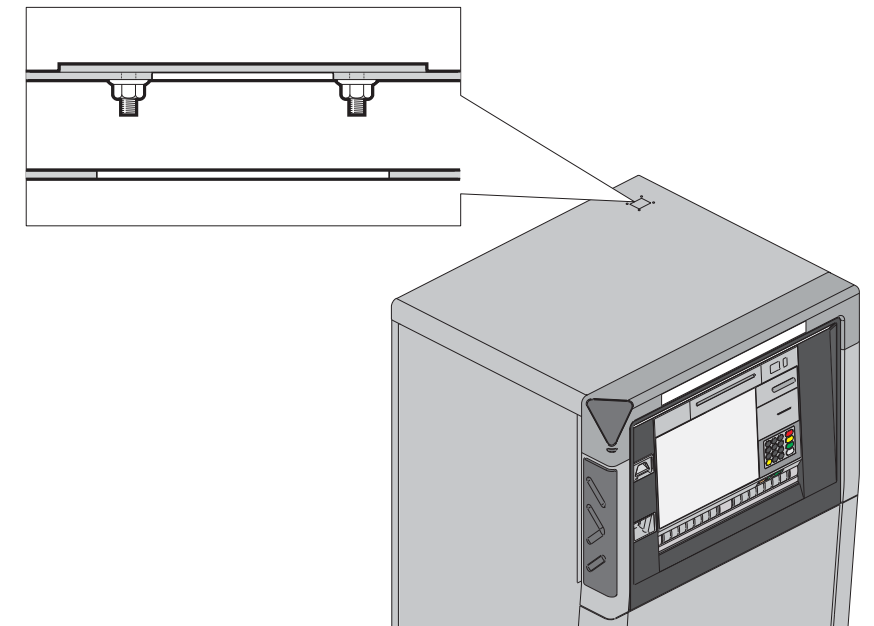


Power is routed externally from a dedicated source separate from the ATM

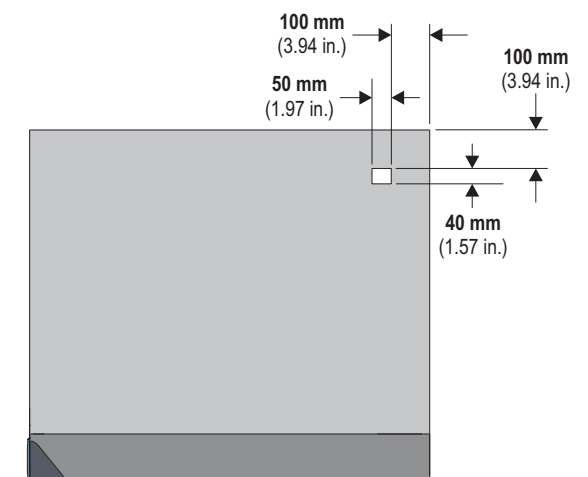
When Wiring Cannot be Routed Externally

Disclaimer: NCR is not liable for any additional third party wiring. It is important that the site be prepared by a customer who is fully conversant with the special requirements of the electronic and electrical equipment. The responsibility remains with the customer.

There is a topper blank plate fitted to the top of the ATM. This access point can be used for topper wiring **subject to the disclaimer above**.



Topper Hole Location



See the NCR SelfServ 88 ATM Installation Guide (B006-7480) for details.

CABLE PREPARATION

External cables are not supplied. Specifications for these cables are given in this section.

It is the customer's responsibility to have any required external cables installed and to make sure that all cable preparations comply with NCR specifications as well as with all national, state or local telephone and telegraph regulations and laws.

When producing cables allow for **2.2 m (7.22 ft)** of cable within the ATM.

DATA LINE TRANSIENT PROTECTION

Voltage transients, line noise, surges, sags, impulses, and spikes may be experienced routinely or sporadically. When such phenomena occur the use of protective devices may be required to ensure proper operation of the equipment.

It is the responsibility of the customer to install and connect a data line transient suppression system to correct or prevent any deficiencies. Such systems must meet the following minimum requirements:

Be of the self-recovering voltage limiting type. Exhibit a 'short circuit' mode upon its failure to ensure a positive indication of its failure. Insert minimum inductive and capacity loading at the operating frequency. Be installed in accordance with all applicable local, state, and national electrical codes and regulations.

Protect the data port from damage in the presence of a data line transient event as defined in IEC Standard 1000-4-5 (formerly IEC 801-5).

Transient Protection Products

NCR provides a full range of both AC power and data line transient surge suppressors to protect your ATM. For more information, please call NCR Site Preparation Services for more information.

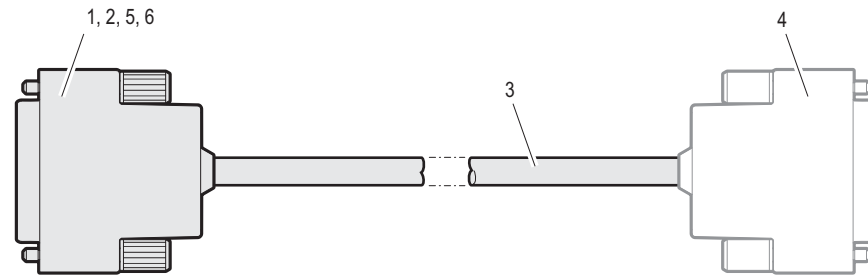
ALARM INTERFACE CABLES

The ATM may optionally be configured to provide an alarm interface which enables the ATM to be connected to an external local alarm system. The interface may take the form of one of two options; a basic alarm system or an enhanced alarm system.

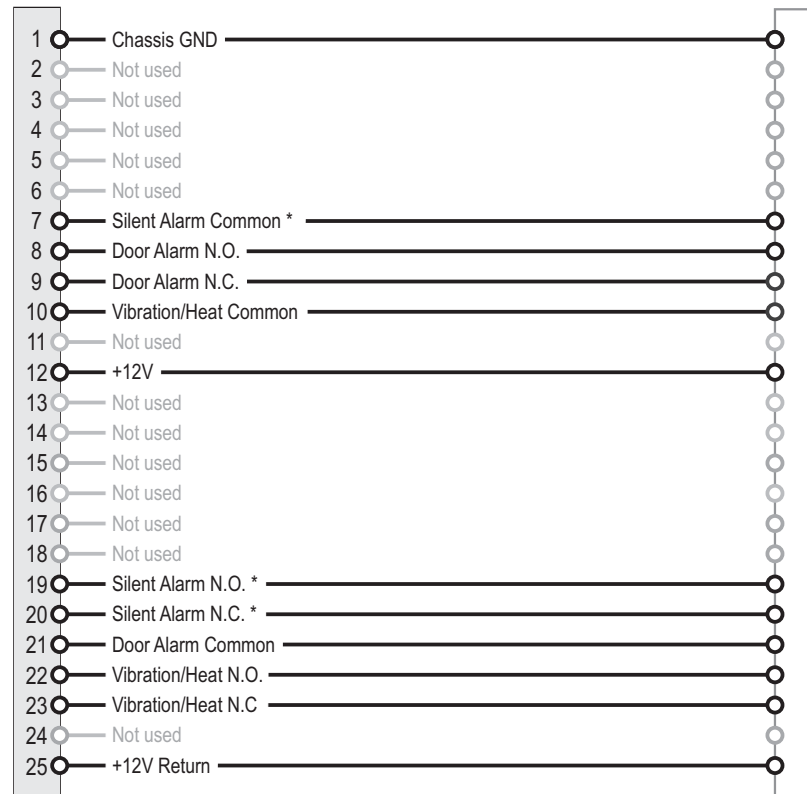
A stabilised, non-interruptible power supply must be provided through the external alarm system. The alarm interface cable wiring must conform to the following specification:

- 12V +/- 2V dc
- 200mA maximum
- Ripple, 5% maximum.

Basic Alarm Cable



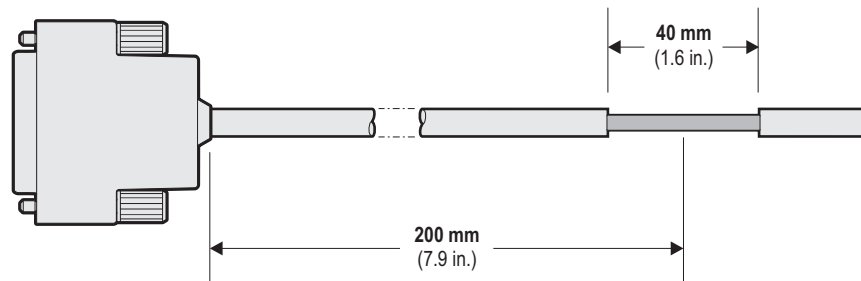
1. Connector, 25 Way (NCR part no. 006-0005896)
2. Terminal, wire, female (NCR part no. 009-0002640)
3. Cable, multiconductor (determined by the alarm installed).
4. Connector (determined by remote device).
5. Shell Hood (NCR part no. 006-1500038).
6. Screw retainer (NCR part no. 601-0101584).



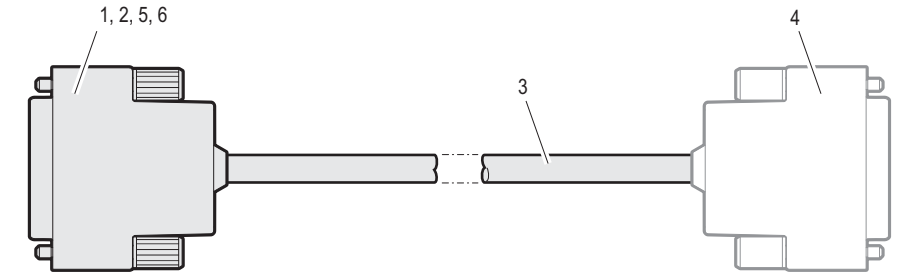
* Optional

Remove a **40 mm (1.6 in.)** section of the outer sleeve, **200 mm (7.9 in.)** from the ATM end of the cable.

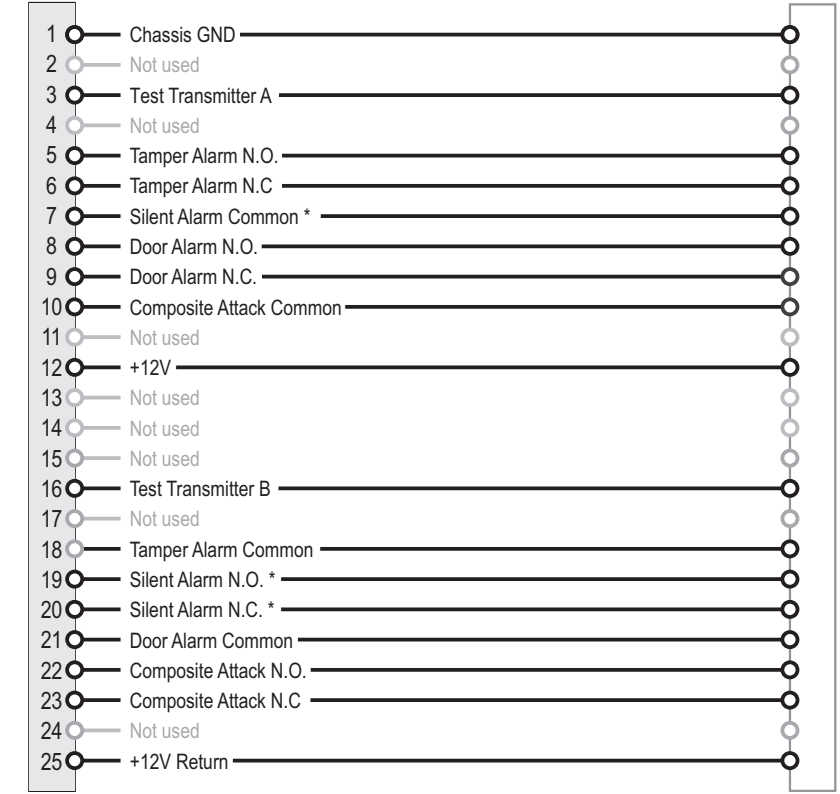
Take care not to cut through the cable shielding.



Enhanced Alarm Cable



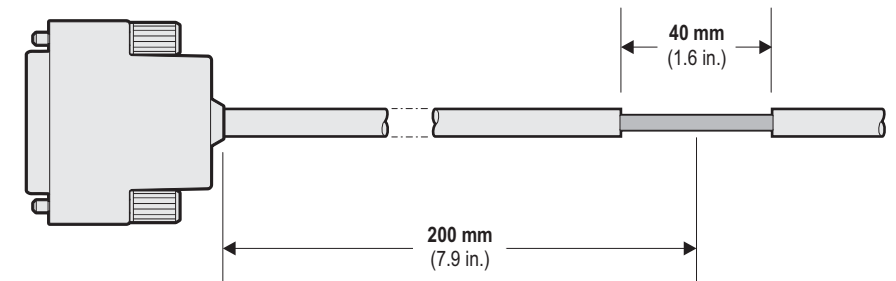
1. Connector, 25 Way (NCR part no. 006-0005896)
2. Terminal, wire, female (NCR part no. 009-0002640)
3. Cable, multiconductor (determined by the alarm installed).
4. Connector (determined by remote device).
5. Shell Hood (NCR part no. 006-1500038).
6. Screw retainer (NCR part no. 601-0101584).



* Optional

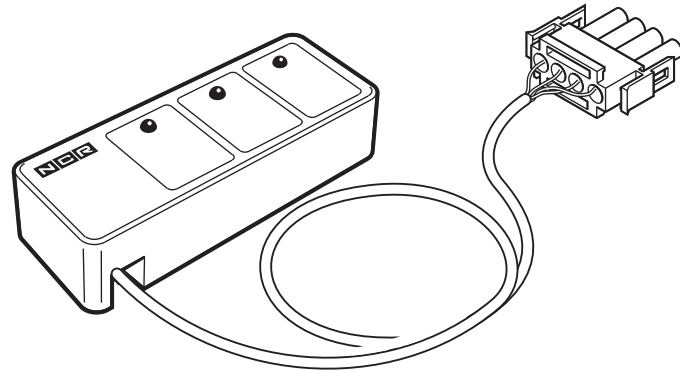
Remove a **40 mm (1.6 in.)** section of the outer sleeve, **200 mm (7.9 in.)** from the ATM end of the cable.

Take care not to cut through the cable shielding.



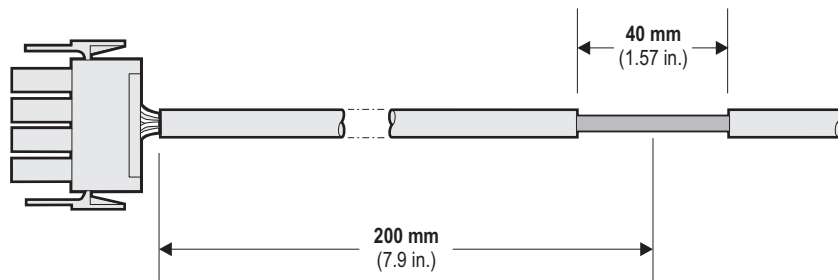
REMOTE STATUS MONITOR

The remote status monitor feature is supplied as a complete assembly consisting of a status indicator unit, **76.2 m** (250 ft) of cable and a connector.



Remove a **40 mm** (1.6 in.) section of the outer sleeve, **200 mm** (7.9 in.) from the ATM end of the cable.

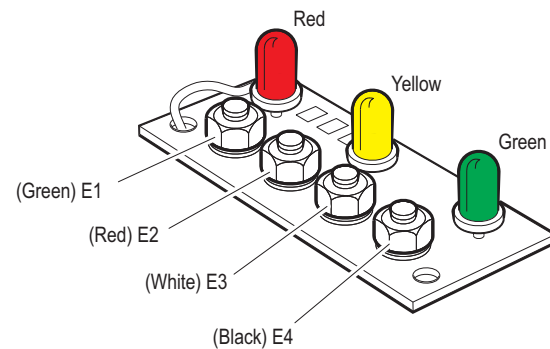
Take care not to cut through the cable shielding.



Shortening the Cable

If you need to shorten the cable, proceed as follows:

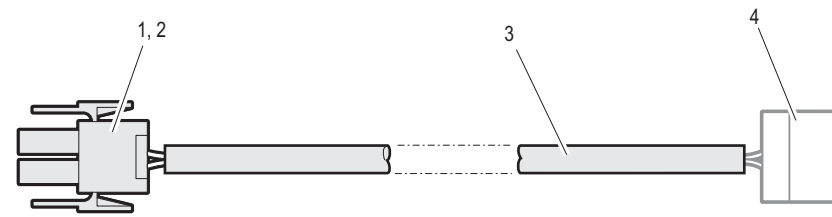
1. Remove the cover from the remote status indicator unit
2. Disconnect the four leads (E1, E2, E3 and E4) from the indicator



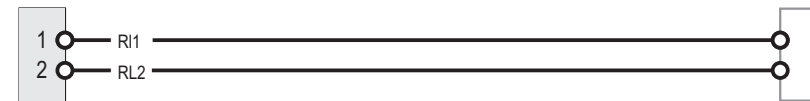
3. Cut the cable to the required length and strip the four wire ends
4. Connect the wires to the correct terminals
5. Replace the status indicator cover.

REMOTE RELAY CABLE

The remote relay provides a pair of open contacts, rated at 28 volts per ampere for both ac and dc supplies, which can be closed to activate a remote device. The interconnecting cable to a remote device must conform to the following specification and wiring:

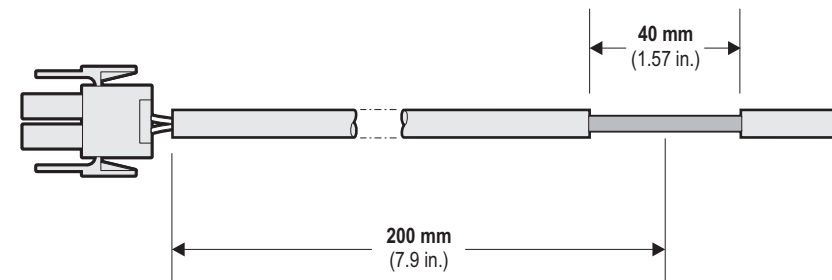


1. Connector, 2 way Mate-N-Lock (NCR part no. 007-9814285).
2. Terminal wire, male (NCR part no. 007-2009663).
3. Cable, multiconductor (NCR part no. 006-5800006).
4. Connector (determined by remote device).



Remove a **40 mm** (1.6 in.) section of the outer sleeve, **200 mm** (7.9 in.) from the ATM end of the cable.

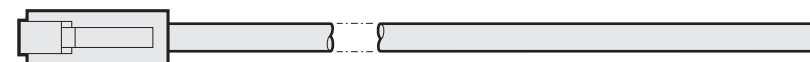
Take care not to cut through the cable shielding.



ETHERNET STANDARD CABLE

The ethernet standard cable must be fully shielded, 8 pin, category 6 compliant and must not exceed **97 m** (318.20 ft) in length.

Removing a section of the outer sleeve is not required for the NCR SelfServ 88 ATM.



POWER CABLE

The ATM is a fixed wire product and is not supplied with a power cable. See the Power Requirements section for information about how the internal wiring of the ATM is connected to a dedicated 30A circuit via a terminal block connector.

WARNING The cable used to connect to the ATM must have copper conductors and must comply with local code requirements.

WARNING This equipment must be earthed.

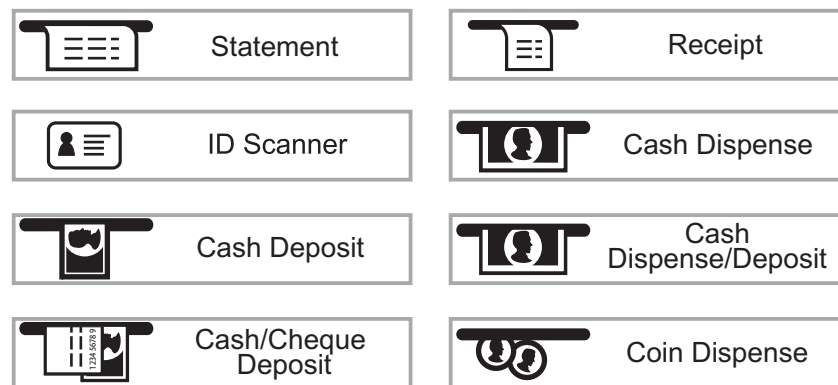
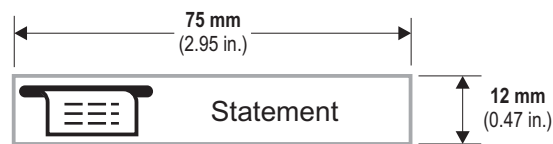
ENTRY/EXIT DECALS

Entry/Exit decals should be a maximum of **0.5 mm** (0.02 in.) thick. NCR recommends they be made from textured polycarbonate with 3M 467 High Performance MP adhesive.

Decals should provide good contrast, at least 70%, between foreground (text/icon) and background.

A sans serif typeface should be used (Tiresias is recommended). The text size should be at least 14 point, and larger where possible. Where tactile decals are required they should be designed in line with specific country requirements.

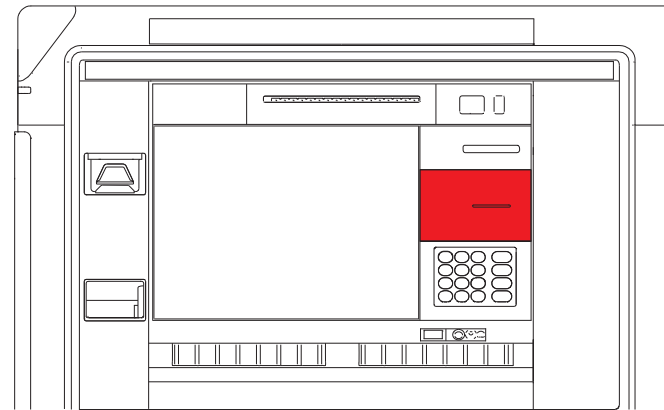
Suggested icon designs and wording are shown below:



CAUTION When placing any card reader decal, make sure that the label does not obscure the contactless card reader or card reader entry slot lights.

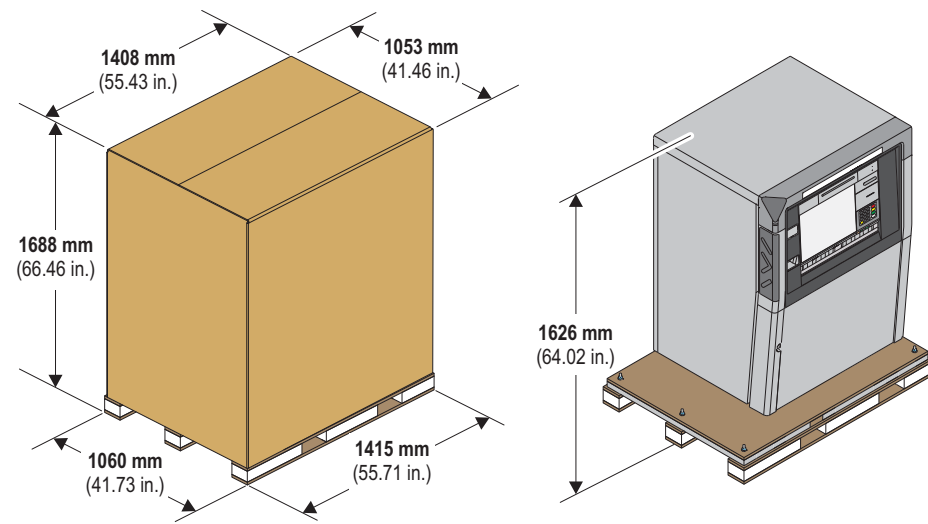


CAUTION Do NOT place any metallic coated or substrate label on the glass area around the CCR or card reader, highlighted below:

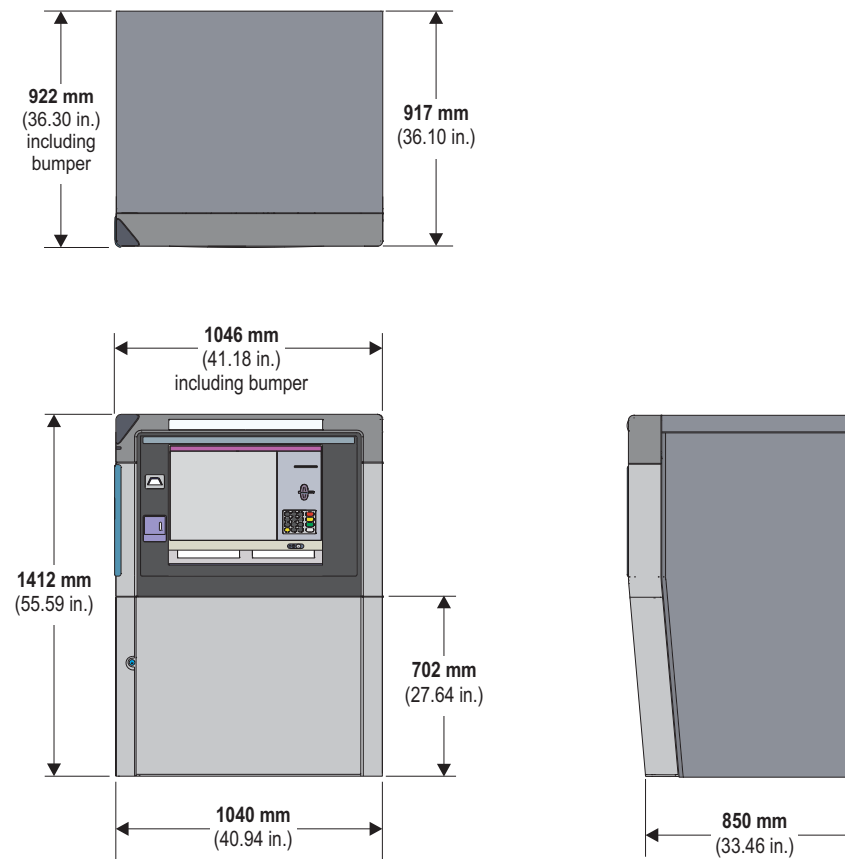


Decals

PACKAGE DIMENSIONS

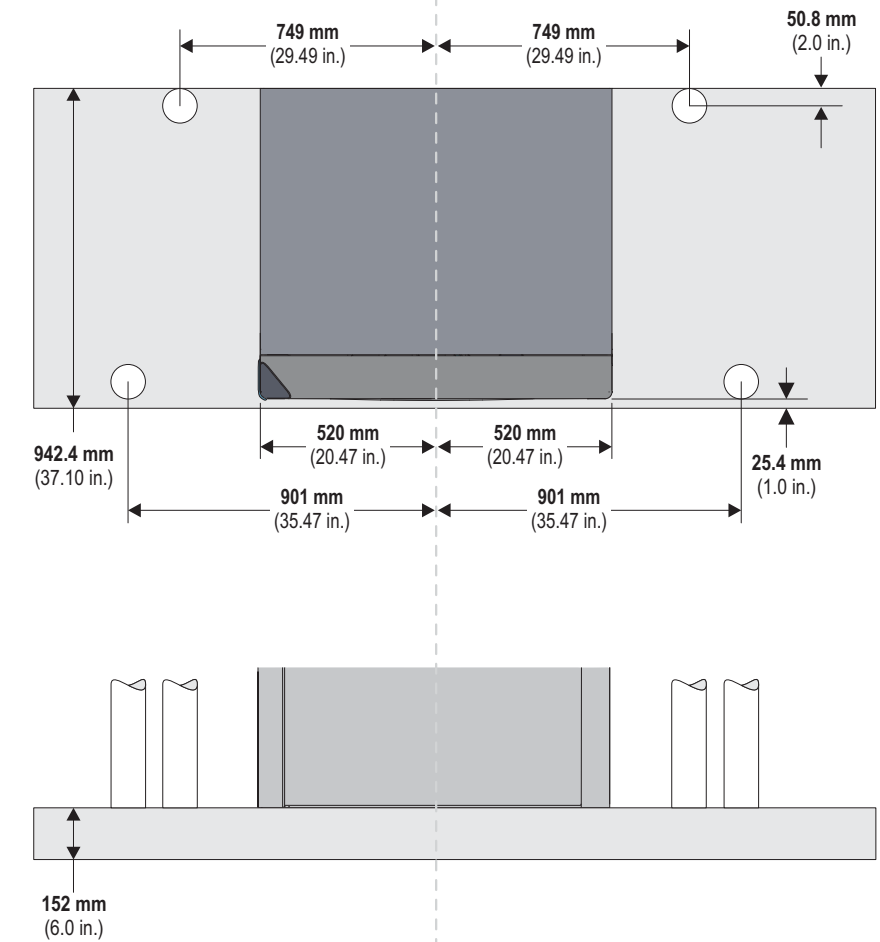


ATM DIMENSIONS



ISLAND DIMENSIONS AND BOLLARD LOCATIONS

The illustration below shows the dimensions for the minimum island size. NCR recommends that the rear bollards are **102 mm (4.0 in.)** in diameter, and positioned in line with the rear of the ATM, front bollards are **102 mm (4.0 in.)** in diameter and positioned **25.4 mm (1.0 in.)** back from the front of the island. When locating the bollards allow sufficient working space for servicing the air conditioning unit.



Anti-theft Bollards

If anti-theft bollards (also known as anti lassoing bollards) are to be fitted, the bollard exclusion zone around the ATM must be complied with to allow sufficient access for removing panels, refer to the [Servicing Areas](#) section.

WEIGHT

Standard Security Enclosures

	CEN Grade 1
Maximum weight	983 kg (2167.1 lb.)
Floor loading	1596 kg/m ² (326.8 lb./ft ²)

SECURITY BOLTS

The island, or base, must be capable of withstanding the loading imposed by the anchor points for the bolts. Bolts and anchors must be supplied by the owning organisation.

To ensure conformity to EN1143-1 Anchoring Strength Test, it is recommended that the ATM is bolted to the island, or base, through all six of the security enclosure bolt holes, using bolts with anchor washers as specified below. Bolts and anchor washers are to be supplied by the owning organisation.

Make sure that the island, or base, is capable of withstanding the loading imposed by the anchor points for these bolts.

If an adjustable plinth is used, it must be bolted to the island, or base, to the same specification as the ATM.

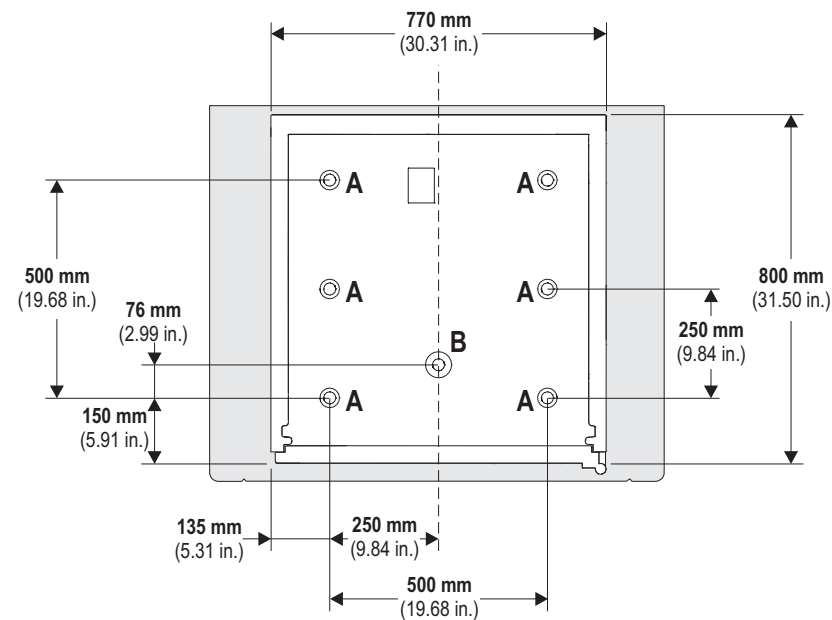
The minimum specification for bolts and washers to secure the ATM is:

- Bolts
 - Type - either resin anchor or shield anchor bolts
 - Size - **M16** (5/8 in.)
 - Minimum Length - **150 mm** (5.9 in.)
 - Strength - high tensile (minimum ISO property class **8,8**).
- Washers
 - Type - flat, steel (as per DIN7349 or equivalent)
 - Size - **M16** (5/8 in.)
 - Outer diameter - no greater than **40 mm** (1.58 in.)
 - Minimum thickness - **6 mm** (0.2 in.).

BOLT HOLES

The ATM should be bolted to the floor or plinth, through the holes marked 'A', using the six bolts with anchor washers.

The hole marked 'B' enables a security sensor to be fitted.



CABLE ENTRY

Cables enter the ATM through a hole in the base of the security enclosure. There should be a conduit hole in the island of sufficient size to allow the cables to be coiled ready to be brought into the security enclosure.

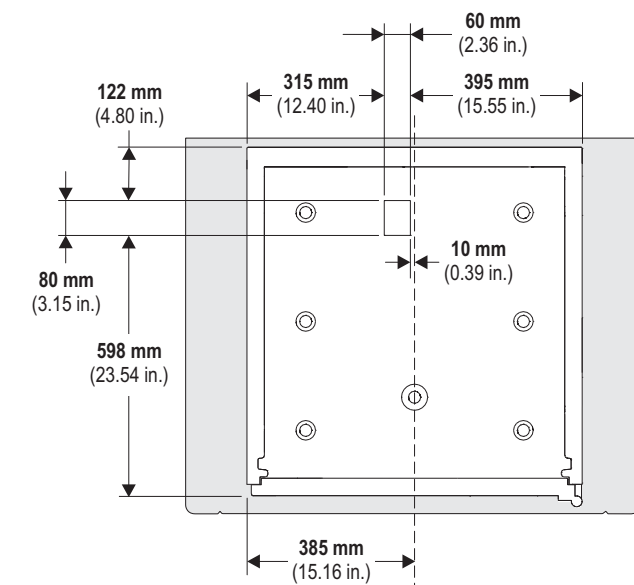
Make sure that the island conduit hole is free from any material that may impede the cables. The hole should not be sealed or filled with concrete.

The actual conduit hole may be larger than the that shown depending on the installation.

Distribution boxes and any power and wiring conduits must not protrude above the surface of the island.

ATM Cable Entry

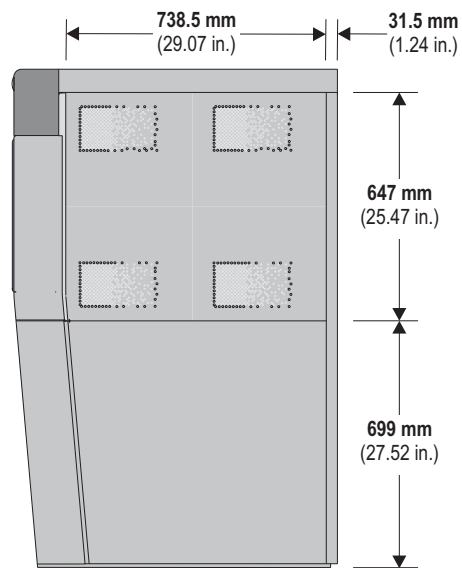
CEN Security Enclosure



VENTS LOCATION - AIR FLOW

Unrestricted air flow is required on the right-hand side of the ATM. There must be no obstruction of the vents at any time.

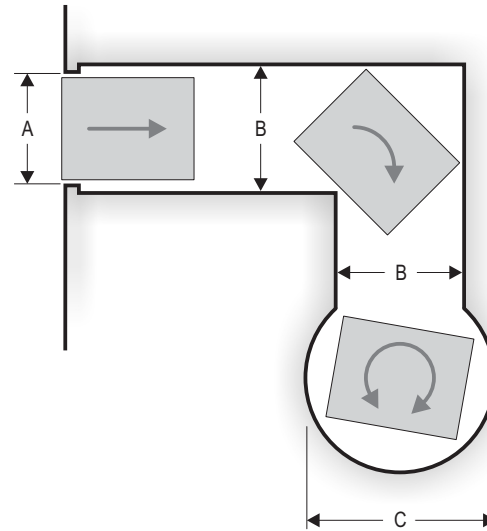
If a third-party surround/topper is fitted then equivalent venting or hot air extraction system must be installed within the surround/topper.



CLEARANCES - CORRIDOR

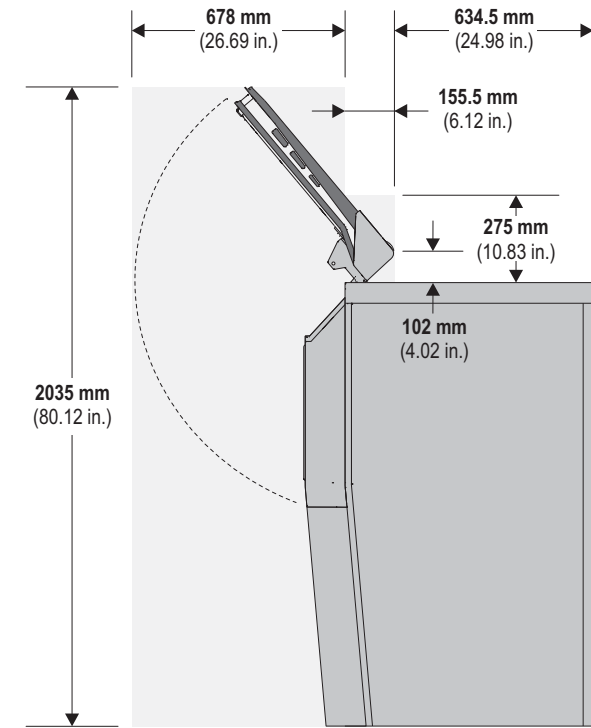
The dimensions shown assume the ATM is being moved using equipment that does not extend beyond the ATM or packaging.

A surrounding clearance of **6 mm** (0.24 in.) has been allowed in the dimensions.

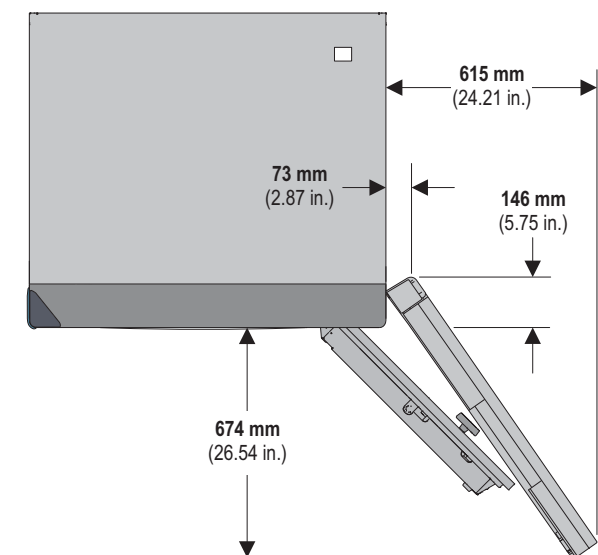


		Packaged ATM (pallet & carton)	Unpackaged ATM
A	Doorway or straight corridor	1072 mm (42.20 in.)	934 mm (36.77 in.)
B	Corridor with corner	1262 mm (49.69 in.)	1034 mm (40.71 in.)
C	Rotation about centre	1780 mm (70.08 in.)	1406 mm (55.35 in.)

CLEARANCES - FACIA OPENING

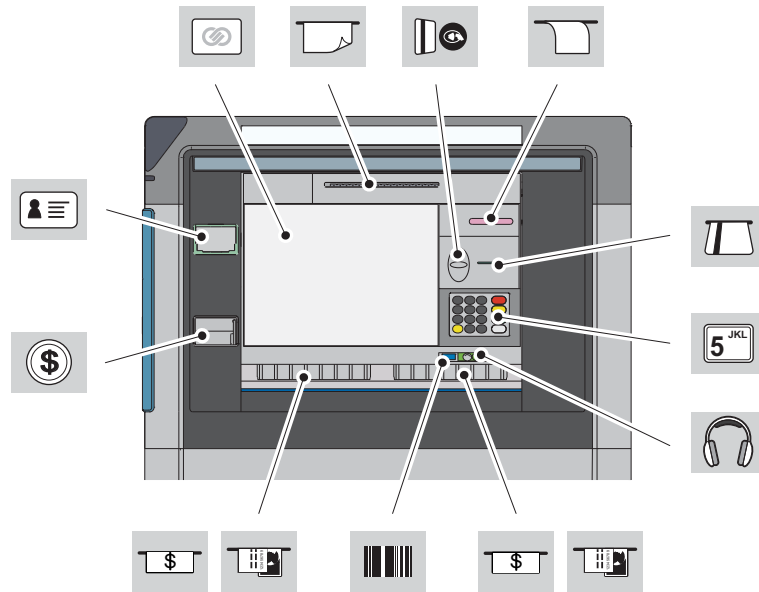


CLEARANCES - COSMETIC DOOR

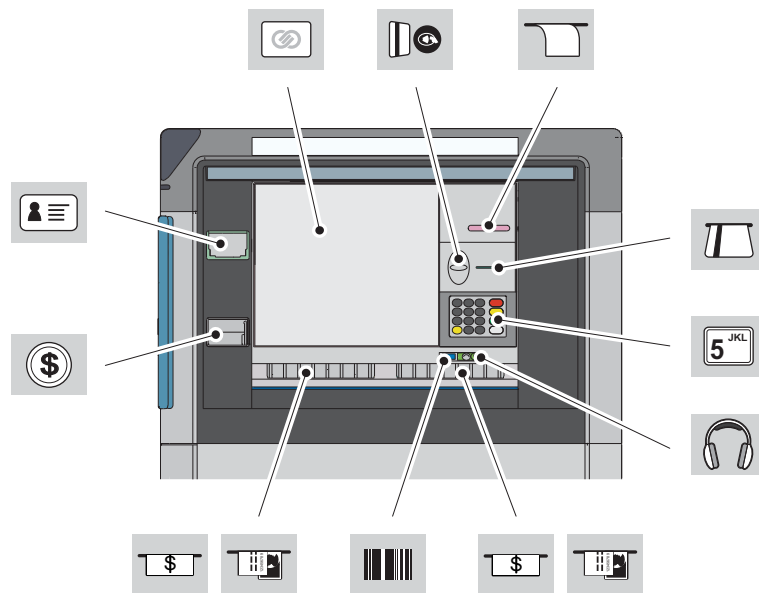


FACIA ITEMS

15" Touchscreen



19" Touchscreen



Touchscreen Dimensions

Touchscreen Size	Touchscreen Height x Width	Touchscreen Angle
15 inch	234 mm x 310 mm 9.21 in. x 12.20 in.	3 degrees from vertical
19 inch	305 mm x 380 mm 12.01 in. x 14.96 in.	3 degrees from vertical

Heights and Depths

Facia Item		Height from base of ATM	Depth from front of collar
Statement Exit		1265 mm (49.80 in.)	27 mm (1.06 in.)
Touchscreen 483 mm (19 in.)	Top	1241 mm (48.86 in.)	26 mm (1.02 in.)
Touchscreen 381 mm (15 in.)	Top	1182 mm (46.54 in.)	23 mm (0.91 in.)
Receipt		1181 mm (46.50 in.)	17 mm (0.67 in.)
ID Scanner		1149 mm (45.24 in.)	18 mm (0.71 in.)
Card Reader		1098 mm (43.23 in.)	18 mm (0.71 in.)
Contactless Card Reader (behind Facia)		1098 mm (43.23 in.)	18 mm (0.71 in.)
PIN Pad	Number 5 key	998 mm (39.29 in.)	12 mm (0.47 in.)
Coin Exit		923 mm (36.34 in.)	15 mm (0.59 in.)
Private Audio		898 mm (35.35 in.)	17 mm (0.67 in.)
Barcode Reader - Activation Point		875 mm (34.45 in.)	12 mm (0.47 in.)
Cash Exit/Entry		865 mm (34.06 in.)	28 mm (1.10 in.)
Scalable Deposit Module		865 mm (34.06 in.)	28 mm (1.10 in.)

Distance for Voice Guidance

Facia Item	No.5 Key		Audio Jack		
	Distance to Facia Item	Distance to Facia Item	Distance to Facia Item	Distance to Facia Item	
Card Reader	1	110 mm (4.33 in.)	1	202 mm (7.95 in.)	
Receipt	1	188 mm (7.40 in.)	1	283 mm (11.14 in.)	
Private Audio	6	101 mm (3.98 in.)	6	-	
Barcode Reader - Activation Point	7	134 mm (5.28 in.)	8	73 mm (2.87 in.)	
Cash Exit/Entry	Right hand	7	140 mm (5.51 in.)	8	65 mm (2.56 in.)
Scalable Deposit Module	Right hand	7	140 mm (5.51 in.)	8	65 mm (2.56 in.)
Scalable Deposit Module	Left hand	8	359 mm (14.13 in.)	9	349 mm (13.74 in.)
Cash Exit/Entry	Left hand	8	359 mm (14.13 in.)	9	349 mm (13.74 in.)
Coin Exit		8	548 mm (21.57 in.)	9	558 mm (21.97 in.)
Touchscreen 381 mm (15 in.)	Centre of screen	10	283 mm (11.14 in.)	10	333 mm (13.11 in.)
Touchscreen 483 mm (19 in.)	Centre of screen	10	290 mm (11.42 in.)	10	346 mm (13.62 in.)
ID Scanner		10	563 mm (22.16 in.)	10	610 mm (24.02 in.)
Contactless Card Reader (behind Facia)		11	104 mm (4.09 in.)	11	203 mm (7.99 in.)
Statement Exit		11	327 mm (12.87 in.)	11	419 mm (16.50 in.)

SERVICING AREAS

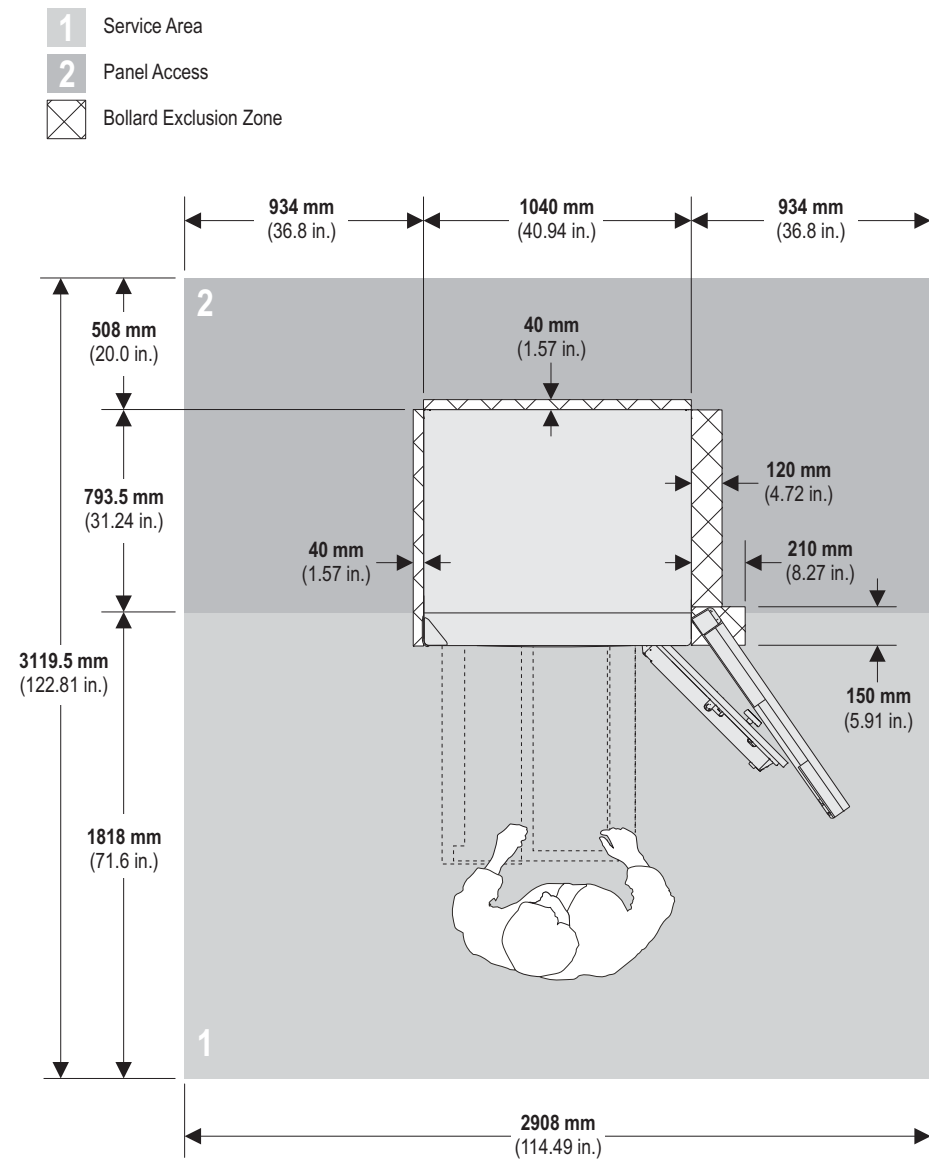
The optimum servicing area provides the best access to the ATM for all servicing and operation tasks.

Whenever possible the ATM should be installed within the optimum servicing area.

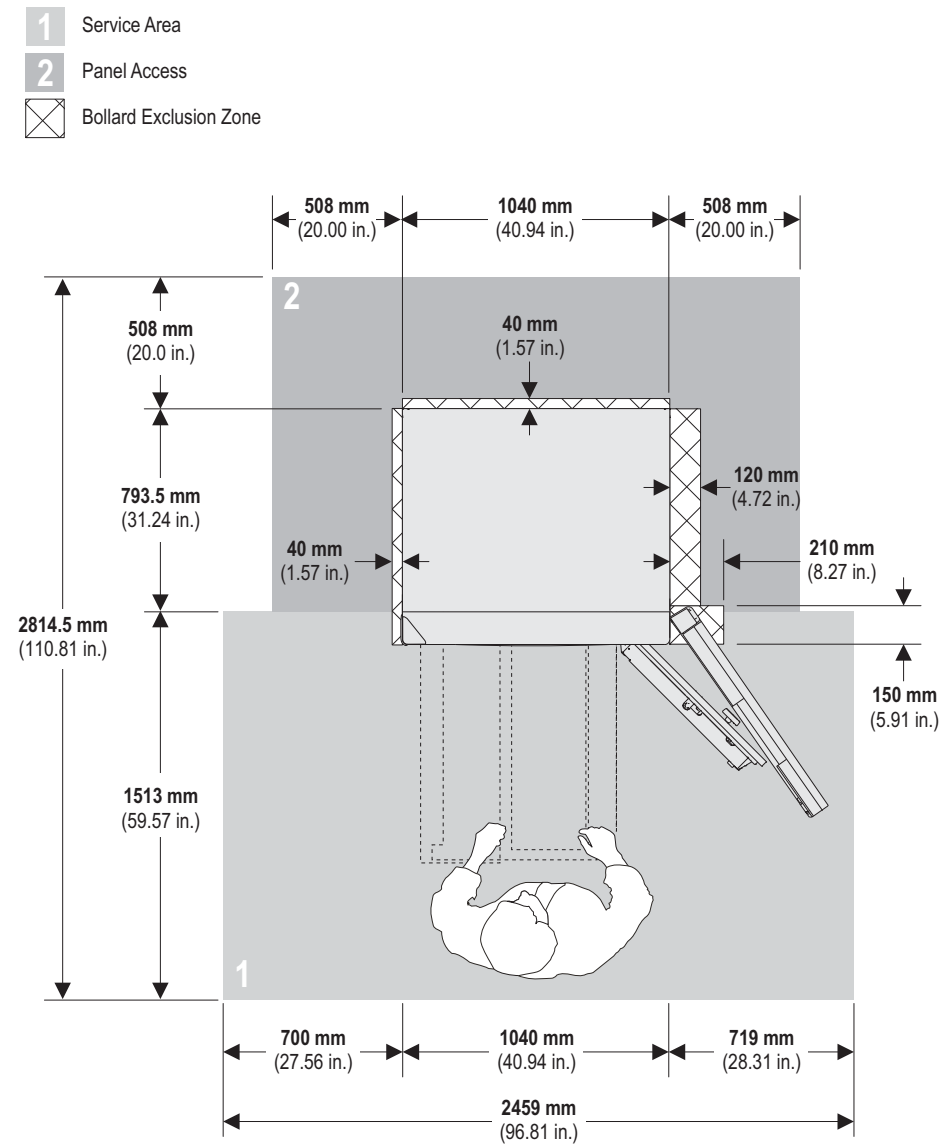
If the optimum area is not available then refer to Servicing Areas - Minimum. However note that installing the ATM in the minimum servicing area may increase the servicing and/or upgrading time over a ATM installed using the optimum area.

Always leave as much space as possible around the ATM to facilitate safe operation and servicing.

Optimum



Minimum



ORDINANCE NO. 13-14

ORDINANCE AMENDING THE MARION CODE OF ORDINANCES REGARDING A REQUEST TO REZONE PROPERTY LOCATED ALONG TOWER TERRACE ROAD BETWEEN 10TH STREET AND ALBURNETT ROAD FROM PD-C, PLANNED DEVELOPMENT COMMERCIAL TO C-3, GENERAL COMMERCIAL, WITH CONDITIONS (MOONEY ENGLE LAND COMPANY)

WHEREAS, Mooney Engle Land Company, LLC, Owner, has made application to rezone from PD-C, Planned Development Commercial to C-3, General Commercial for property located along Tower Terrace Road, between 10th Street and Alburnett Road, more particularly described as follows:

PD-C to C-3

That part of the NW ¼ SE ¼ and the NE ¼ SE ¼ both in Section 25, Township 84 North, Range 7 West of the 5th P.M., City of Marion, Linn County, Iowa described as follows:

Parcel A, Plat of Survey #1476 excepting there from Stonefield Sixth Addition to said City; and

Parcel A, Plat of Survey #1626 excepting there from Stonefield Seventh Addition to said City.

WHEREAS, the Marion Planning and Zoning Commission on April 9, 2013 amended the applicants request to include the following property to the request:

PD-C to C-3

Lot 1, Stonefield 7th Addition to Marion, Linn County Iowa, and

Lot 2, Stonefield 2nd Addition to Marion, Linn County, Iowa

WHEREAS, said application has been considered by the Planning and Zoning Commission and the Commission adopted CPC Resolution No. 13-13 dated June 11, 2013, recommending approval of said rezoning request subject to conditions:

WHEREAS, said application has heretofore been set for public hearing on May 23, 2013 before the City Council as required by law and said public hearing having been concluded and the Council having considered the record and all statements for and against said application and being fully advised of the premises; and,

WHEREAS, the City Council has considered the recommendation of the Planning & Zoning Commission regarding said rezoning application:

BE IT ORDAINED BY THE CITY COUNCIL OF THE CITY OF MARION IOWA;
Section 1. That Section 176.04 of the Marion Code of Ordinances is hereby amended, including the Zoning District Map, and the zoning classification is changed for the above

described real estate from PD-C, Planned Development Commercial to C-3, General Commercial subject to following standards:

- (1) Shall be subject to the permitted use regulations of the C-2, Neighborhood Commercial Zoning District and the C-1, Neighborhood Commercial Zoning District except as follows:
 - A. Restaurants, cocktail lounges, taverns, and dancing establishments, including the serving of alcoholic beverages and beer and/or including drive-in or drive-through service uses shall be prohibited north of Tower Terrace Road; east of the centerline of 3rd Street extended north of Tower Terrace Road.
 - B. Open Storage. All operations shall be conducted in a fully enclosed building
- (2) Shall be subject to the conditional use regulations of the C-2, Central Business District and the C-1, Neighborhood Commercial Zoning District
- (3) Shall be subject to the Site and Structure Requirements of the C-1, Neighborhood Commercial Zoning District except as follows:
 - A. Maximum Height - 3 stores or 45'
 - B. Landscaping shall be required to be provided per Section 763.42 of the Marion Code of Ordinances.
- (4) Other Provisions.
 - A. Accessory Uses. Uses and structures accessory to a principal permitted use or a conditional use are permitted subject to the provisions of Section 176.32.
 - B. Temporary Uses. Temporary uses are permitted subject to the provision of Section 176.35(13).
 - C. Signs. Signs shall incorporate aesthetic features compatible with the overall character of the zoning district and neighborhoods, are permitted subject to the provisions of Section 176.31, unless otherwise specified below:
 - (1) Ground signs shall not exceed 100 square feet and any supporting columns shall be constructed with colors and materials that are compatible with the building material of the principle structure of the property.
 - (2) Ground signs shall have a base that is equal to or greater than the width of sign.
 - (3) Electronic / manual message boards shall not be operated between the hours of 10:00pm and 6:00am and shall contain an automatic light sensitive dimming devices.

D. Off-street Parking and Loading. Off-street parking and loading facilities shall be provided according to the provisions of Section 176.29.

E. Open Storage. All operations shall be conducted in a fully enclosed building

F. Performance Standards. No flammable, reactive, explosive, toxic, or radioactive materials may be stored, handled or utilized unless the Building Official and the Fire Chief determine that such use does not constitute a hazard to adjacent properties based upon standards and criteria set forth in local, State and Federal codes, rules and/or regulations.

G. Architectural Requirements. The use of quality architectural materials shall be used on all sides of all buildings and structures in order to enhance the physical appearance of the building and attempt to make the structures more compatible with residential structures in the adjacent neighborhoods.

(1) The roofs shall be pitched or gabled in attempt to make the structure more compatible with the residential structures in the adjacent neighborhood.

a. All roof elements under 10,000 square feet shall have a minimum 6/12 pitch.

(2) The primary exterior material shall consist of a combination of brick, architectural concrete panels, textured concrete block or architectural metal, fiber cement, stone panels in keeping with the nature and character of the theme developed by the overall project and compatible with the adjacent residential developments. Use of brick, stone, stucco or concrete block shall be used on all sides of all buildings and structures.

H. Exterior Lighting Standards. Lighting on the site shall adhere to the following standards. City staff and officials may request submittal of a formal lighting plan at their discretion, the content of which shall be determined at the time that such a request is made.

(1) Light Trespass and Distraction. Lighting shall be provided in such a way as to not interfere with roadway traffic, spill over onto adjacent properties, and / or pollute the night sky. The light levels shall be no greater than zero (0) foot-candle at any property line or public right-of-way line. Where this foot-candle restriction cannot be met, an administrative variance may be applied for when trespass may occur on a commercially zoned property, but is not permitted to trespass on to an R zoned property. Specifically, the following types of light trespass are prohibited:

a. Any light not designed for roadway illumination that produces direct or reflected glare that could disturb the operator of a motor vehicle.

b. Any light that may be confused with, or construed as a traffic control device, except as authorized by state, federal and local government.

(2) Unshielded Lighting. The use of unshielded lighting, including incandescent light bulbs hung or strung on poles, wires or any other type of support are prohibited except on temporary basis not to exceed 2 weeks and when associated with construction activity on the property.

(3) Light Poles. The maximum height of light poles on private property, as measured from grade at the base to the bottom of the luminaries shall not exceed sixteen (16) feet in height. These standards do not apply to public lighting.

I. Pedestrian Sidewalks. Sidewalks shall be placed in the city right-of-way adjacent to all public streets as required by the Marion Code of Ordinances. All individual lots must provide a means of access from the public sidewalk to all buildings located on each parcel.

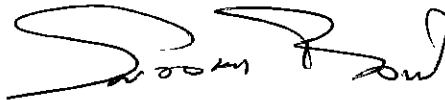
J. Building Renderings. Each building permit/site plan shall include a colored rendering of the principle structure indicating the type and color of all exterior building materials

K. Hours of Operation: Businesses shall not be open to the public between the hours of 11:00PM and 6:00AM unless approved by Conditional Use.

Section 2. That all ordinances and parts of ordinances in conflict with the same are hereby repealed.

Section 3. This ordinance shall be in full force and effect from and after its passage, approval, and publication as by law provided.

Passed and approved this 14th day of July, 2013.



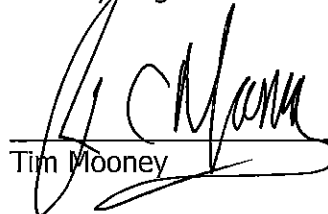
Snooks Bouska, Mayor

ATTEST:

Wesley A. Nelson
Wesley A. Nelson, City Clerk

ACCEPTANCE: As the petitioner for this requested change in zoning district classification, I hereby accept the conditions as included in the above ordinance

Mooney-Engle Land Company, LLC



Tim Mooney

CERTIFICATE OF SERVICE
The undersigned City Clerk of Marion, Iowa certifies that the Ord of Summary shown immediately above was published in the Marion Times on the 25th day of July, 20 13.
Wes Nelson
City Clerk

PUBLIC NOTICE

SUMMARY OF ORDINANCE 13-14

Pursuant to Section 380.7(2) of the Code of Iowa, Notice is hereby given of the passage of Ordinance 13-14 entitled Ordinance Amending the Marion Code of Ordinances Regarding a Request to Rezone Property Located Along Tower Terrace Road Between 10th Street and Alburnett Road from PD-C, Planned Development Commercial to C-3, General Commercial, with Conditions.

The following is an abstract or synopsis of the essential elements of the Ordinance:

That Section 176.04 of the Marion Code of Ordinances is hereby amended, including the zoning district map, and the zoning classification is changed for the above described real estate from PD-C, Planned Development Commercial to C-3. General Commercial subject to standards.

The above description of Ordinance 13-14 is a summary. Said Ordinance is located at the Office of the Marion City Clerk, City Hall, 1225 Sixth Avenue #170, Marion, Iowa, where the same may be inspected during normal business hours of 8:00 a.m. to 5:00 p.m., Monday through Friday, exclusive of holidays. Said Ordinance becomes effective on the date of this publication.

DATED this 11th day of July, 2013.

WESLEY A NELSON
CITY CLERK

CERTIFICATE OF SERVICE
The undersigned City Clerk of Marion, Iowa certifies that the Ord & Summary shown immediately above was published in the marion times on the 25th day of July, 20 13.
Wes Nelson
City Clerk



Planning Division
 1225 6th Avenue, Suite 210
 Marion, Iowa 52302
www.cityofmarion.org

board memo

DATE: Tuesday, July 21, 2020

TO: Zoning Board of Adjustment
FROM: Nicole Behrens, AICP Candidate
 Planner I

RE: 6. BANKIOWA – CONDITIONAL USE (ATM HOURS OF OPERATION)

b. Public hearing regarding a conditional use request by BankIowa pursuant to Ordinance No. 13-14, Section 1(4)K to permit an ATM to operate between the hours of 11:00p.m. and 6:00a.m. located at 901 Tower Terrace Road, Marion, Iowa. (BankIowa)

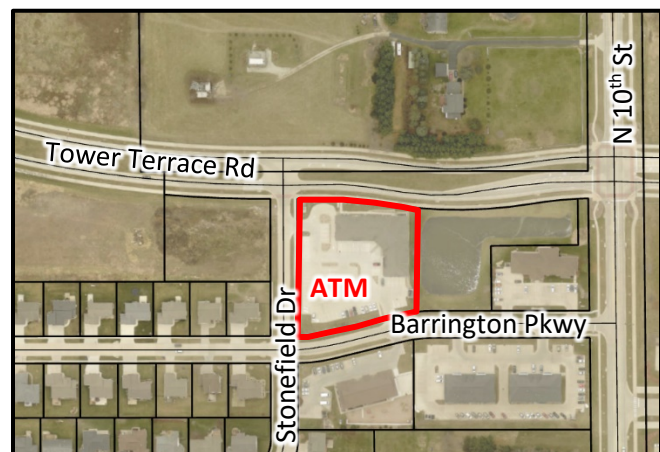
ZBA Resolution No. 20-13 approving the conditional use request

ZBA Resolution No. 20-13 denying the conditional use request

Exhibit(s): Conditional Use Application (ATM hours of operation)
 ATM Specifications
 Ord. No. 13-14

BankIowa is seeking approval of a conditional use request pertaining to the hours of operation of an ATM. Per Ordinance No. 13-14 (attached), conditions were placed on the property at the time the rezoning was approved requiring approval of a conditional use to permit a business to operate between the hours of 11:00p.m. and 6:00a.m.

The applicant is seeking approval of a 24-hour operation of their drive-thru ATM. They would like the ATM to be available for operation at convenient times for their customers.



The Zoning Board of Adjustment shall render their decision of approval or denial based on the following review criteria (Section 176.36-6E) as established in the Zoning Regulations.

(1) That the conditional use applied for is provided in the zoning district within which the property is located.

The property is currently zoned C-3, General Commercial with conditions (Ordinance No. 13-14). Per the Ordinance, approval of a conditional use is required to permit a business to be open to the public between the hours of 11:00p.m. and 6:00a.m.

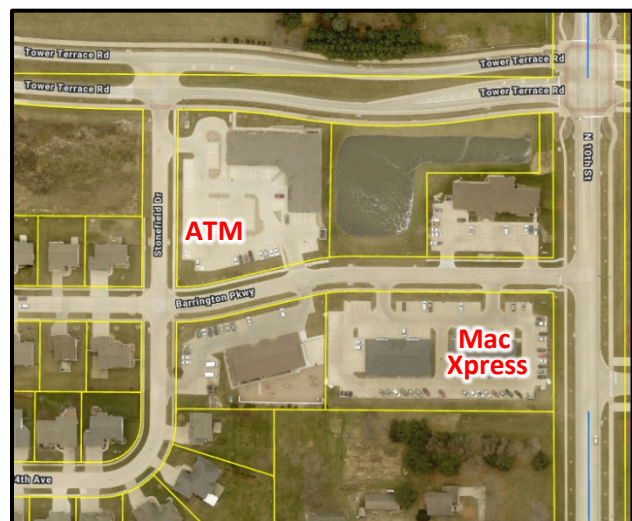
(2) That the proposed use and development will be in accord with the intent and purpose of the Zoning Ordinance and the Comprehensive Community Plan.

Conditions placed on the C-3, General Commercial zoning in this area are intended to help maintain commercial compatibility with the adjacent residential neighborhood. This includes ensuring that businesses will not negatively impact the area they are proposed. The applicant has proposed a location and site improvements to assist with maintaining the compatibility with the adjacent residential neighborhood.

The Marion Comprehensive Plan currently designates the area as “Neighborhood Commercial”, which is intended for small-scale commercial centers serving daily needs. An ATM on the property and use of a bank, complement the existing office uses on site and fit within the intent of the Neighborhood Commercial classification.

(3) That the proposed use and development will not have a substantial adverse effect upon adjacent property; the (1) character of the neighborhood; (2) traffic conditions; (3) parking; utility and service facilities and (4) other factors affecting the public health, safety, and welfare.

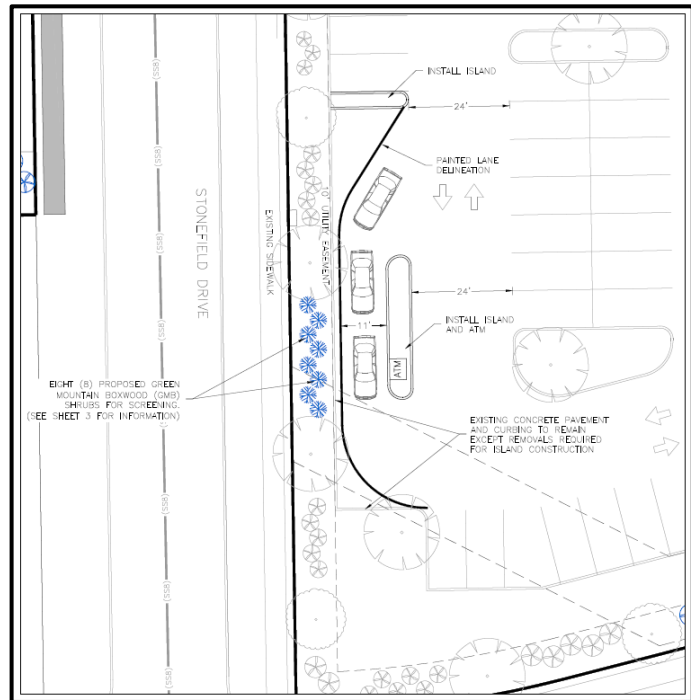
- a) Character of the Neighborhood:
The property sits adjacent to commercial/office uses (east, west, and south of the property) and single-family residential uses to the west/southwest and north. The proposed 24-hour ATM would not be the only 24-hour business located within the area. Mac Xpress on the corner of Barrington Parkway and N. 10th Street is open 24-hours a day; however, the residential property behind them is elevated and has a buffer of trees.



- b) Traffic Conditions: There are no traffic concerns with the extension of hours of operation to the site. Staff does not anticipate a large traffic volume during the hours of 11:00p.m. and 6:00a.m.
 - c) Parking, utility and service facilities: There are no parking, utility, or service facility concerns created with the extension of operating hours of the ATM.
 - d) Other factors affecting the public health, safety, and welfare: By its nature, the extension of hours of operation for an ATM does not pose concerns for the public health, safety, or welfare of our citizens.
- (4) That the proposed development or use will be located, designed, constructed, and operated in such a manner that it will be compatible with the immediate neighborhood and will not interfere with the orderly use, development and improvement of surrounding property.**

The proposed orientation of the ATM with required additional landscaping (8 green mountain boxwood shrubs are proposed) as a buffer should help reduce the amount of headlight glare leaving the site as patrons enter the ATM drive-thru. When using the ATM, headlights of vehicles will be parallel with Stonefield Drive, which should also lessen the intrusion of headlights onto residential properties.

Per the ATM specifications (page 4-1), the dBA levels of the ATM (at the ATM) with general use should not exceed 68 dBA. However, if the coin, cooling fans, or air conditioner is in operation the dBA level could reach a maximum level of 78 dBA (from the air conditioner). According to City Code Chapter 53, Noise and Noise Limits, the maximum dBA for a residential zoning district to receive from a use is 50 dBA during the hours of 10:00 p.m. to 7:00 a.m. If noise complaints are received, the Police Department can verify the level of noise; if a violation is confirmed, the applicant would be required to temporarily close the ATM until the device is adjusted so the sound levels are within the limits of the Code.





Planning Division
1225 6th Avenue, Suite 210
Marion, Iowa 52302
www.cityofmarion.org

If the extension of hours of operation for the ATM is not approved, the dBA level of 50 dBA will still need to be followed from 10:00p.m. - 11:00p.m. and from 6:00a.m. – 7:00a.m. per City Code.

- (5) That adequate measures have been or will be taken to assure adequate access designed to minimize traffic congestion and to assure adequate service by essential public services and facilities including utilities, storm water drainage, and similar facilities.**

The proposed conditional use request does not affect traffic congestion, essential public services, or other public facilities.

Planning & Zoning Commission Recommendation:

The Planning and Zoning Commission found that the proposed conditional use should not pose any substantial adverse effects on adjacent properties related to the extension of operating hours.

The Commission recommended **APPROVAL** of CPC Resolution No. 20-26 regarding BankIowa's request to extend the hours of operation for the ATM to a 24-hour service at their meeting on Tuesday, July 14, 2020.

Conditional Use Instructions and Application Notice of Appeal to the Zoning Board of Adjustment

CONTACT INFORMATION:

Owner: Parks & Schmit Properties, L.C.
Company Name if Applicable: Parks & Schmit Orthodontics
Address: 2727 First Avenue SE STE 1 City, State, Zip: Cedar Rapids, IA. 52402
Phone: 319-363-3575 Fax: _____ Email: jschmitdds@gmail.com, ctparks@icloud.com

Applicant or Agent (if different from Owner): Alex Urbina
Company Name if Applicable: Banklowa
Address: 7045 C Avenue NE City, State, Zip: Cedar Rapids, IA. 52402
Phone: 319-395-9100 Fax: _____ Email: Alex.Urbina@bankiowa.com

Applicant or Agent (if different from Owner): _____
Company Name if Applicable: _____
Address: _____ City, State, Zip: _____
Phone: _____ Fax: _____ Email: _____

PRE-APPLICATION INFORMATION:

Have you attended a pre-application conference with Staff? Yes: No:

If yes, date of pre-application conference: 5-29-2020

If no, contact the Planning and Development Department at 319-743-6320 or email Ama Bartlett at abartlett@cityofmarion.org to schedule a pre-application conference prior to submittal of the application. Failure to conduct a pre-application conference may result in processing delays of your request.

PROPERTY INFORMATION:

Property Address (if different from Owner Information): 901 Tower Terrace Road
Legal Description: Lot 2, Stonefield 2nd Addition to Marion
Lot Size: _____ x _____ = 71,362 Square Feet (or attach a copy of Plat)
Zoning District: C-3 Present Use of Property: dental office
City Code Section regarding Conditional Use: Ordinance 13-14, Section 1(4)K

Conditional Use Instructions and Application Notice of Appeal to the Zoning Board of Adjustment

GENERAL DESCRIPTION OF REQUEST:

Please provide a general description of the request. (Use additional sheets of paper if necessary)

This request is for the approval to operate an ATM between the hours of 11:00pm and 6:00am.

Banklowa will be a tenant, in the existing building, and we propose a drive-thru ATM that will be an accessory part of the business and in operation at convenient times for customers.

SITE PLAN:

Have you attached a site plan? Yes: No:

Please remember a site plan must be submitted and be to a reasonable scale. If you should require assistance please contact the Planning and Development Department.

IMPORTANT DATES AND TIMES:

- Zoning Board of Adjustment Deadline – Last weekday of the Month – 4:00 p.m.
- Zoning Board of Adjustment Regular Meeting – 3rd Tuesday of Every Month – 7:00 p.m.

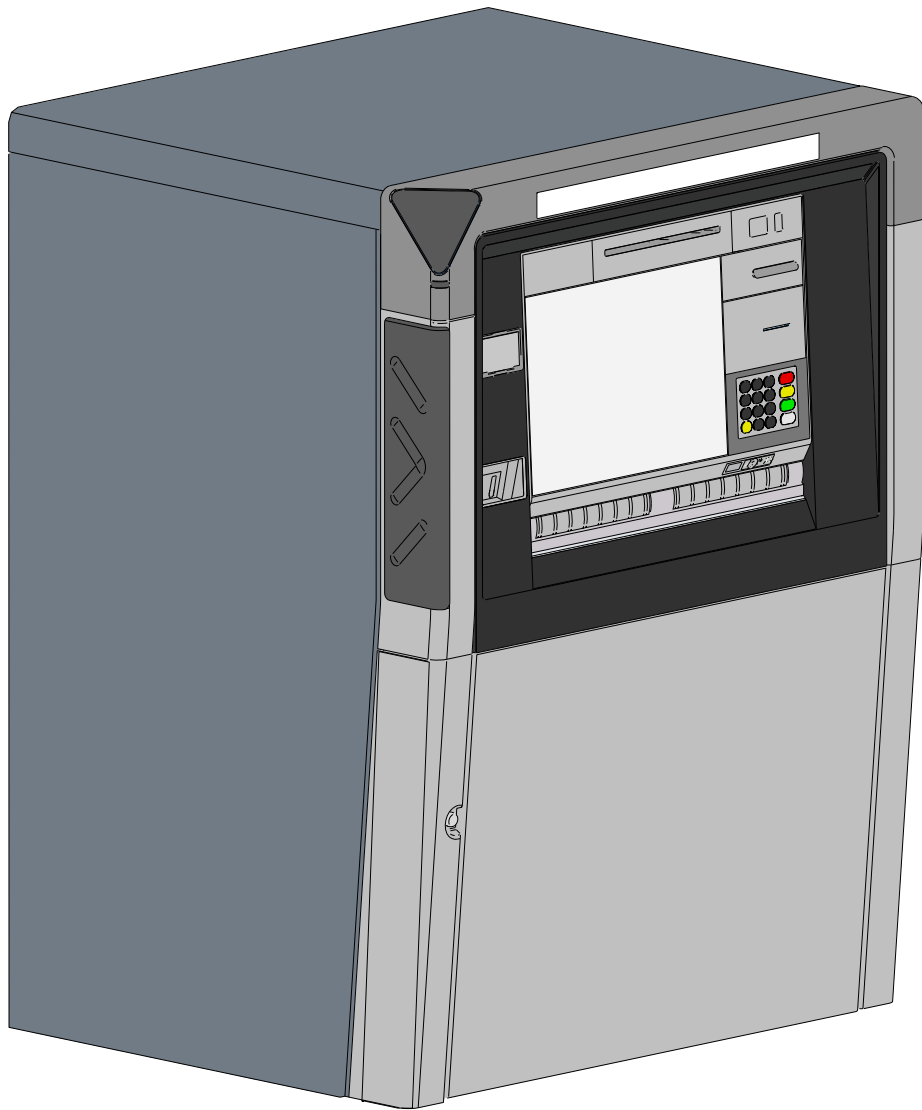
It is requested that the appeal be set for hearing by the Chairperson of the Zoning Board of Adjustment in strict accordance with the provisions of the Code of Ordinances of the City of Marion. Property owner signature is required.

Name: Clayton J. Paul
(Signature)

Date: 6-5-20



NCR SelfServ™ 88 ATM Site Preparation



The product described in this document is a licensed product of NCR Corporation.

NCR and NCR SelfServ are trademarks of NCR Corporation. Other product names mentioned in this publication may be trademarks or registered trademarks of their respective companies and are hereby acknowledged.

Where creation of derivative works, modifications or copies of this NCR copyrighted documentation is permitted under the terms and conditions of an agreement you have with NCR, NCR's copyright notice must be included.

It is the policy of NCR Corporation (NCR) to improve products as new technology, components, software, and firmware become available. NCR, therefore, reserves the right to change specifications without prior notice.

All features, functions, and operations described herein may not be marketed by NCR in all parts of the world. In some instances, photographs are of equipment prototypes. Therefore, before using this document, consult with your NCR representative or NCR office for information that is applicable and current.

NCR Proprietary Information - not to be disclosed or reproduced without written consent.

© 2017 by NCR Corporation, Duluth, Georgia, U.S.A. <http://www.ncr.com>.
All Rights Reserved

Contents

Introduction

Audience	1 - 1
About This Document	1 - 1
Revision Record	1 - 1

Customer Responsibilities

Notice	2 - 1
Site Compliance	2 - 1
Customer Actions	2 - 1

Standards Compliance

Radio Frequency Interference	3 - 1
FCC Radio Frequency Interference Statement	3 - 1
Canadian Class A Device Declaration.....	3 - 1
Safety	3 - 1
Safety Directive.....	3 - 1
Harmonised Safety Standard.....	3 - 1
Electromagnetic Compatibility (EMC).....	3 - 1
Immunity Standards	3 - 1
EMC Directives.....	3 - 1
Emission Standards.....	3 - 1
Additional Requirements for 220V - 240V Units	3 - 1
Accessibility	3 - 1

Product Overview

General Description	4 - 1
Acoustics	4 - 1
Heat Dissipation.....	4 - 1
Product Identification	4 - 1

Site Requirements

Positioning the ATM	5 - 1
Island	5 - 1
Ambient Lighting.....	5 - 1
Task Lighting	5 - 1
Barometric Pressure	5 - 1
Temperature and Humidity	5 - 1
Normal Operating Range	5 - 1
Storage Range (Up To Three Months)	5 - 1
Transit Range (Up To One Week)	5 - 1
Extreme Power On Range (Up To One Hour)	5 - 1

Power Requirements

AC Power Requirements.....	6 - 1
Input Voltage	6 - 1
Grounding	6 - 1

Transient Power Loss.....	6 - 1
Transient Protection.....	6 - 1
Transient Protection Products.....	6 - 1
AC Wiring Details	6 - 2
AC Distribution Wiring Diagram	6 - 2
Third Party Surround/Topper Wiring	6 - 3
Customer Responsibilities	6 - 3
NCR Responsibilities	6 - 3
Recommended Wiring.....	6 - 3
When Wiring Cannot be Routed Externally	6 - 3
Topper Hole Location	6 - 3

Cable Requirements

Cable Preparation	7 - 1
Data Line Transient Protection	7 - 1
Transient Protection Products.....	7 - 1
Alarm Interface Cables	7 - 1
Basic Alarm Cable	7 - 1
Enhanced Alarm Cable	7 - 1
Remote Status Monitor	7 - 2
Shortening the Cable.....	7 - 2
Remote Relay Cable.....	7 - 2
Ethernet Standard Cable	7 - 2
Power Cable.....	7 - 2

Decals

Entry/Exit Decals	8 - 1
-------------------------	-------

Variant Details

Package Dimensions	9 - 1
ATM Dimensions.....	9 - 1
Weight	9 - 1
Standard Security Enclosures	9 - 1
Island Dimensions and Bollard Locations	9 - 1
Anti-theft Bollards	9 - 1
Security Bolts	9 - 2
Bolt Holes	9 - 2
Cable Entry	9 - 2
ATM Cable Entry.....	9 - 2
Vents Location - Air Flow.....	9 - 3
Clearances - Corridor	9 - 3
Clearances - Facia Opening.....	9 - 3
Clearances - Cosmetic Door.....	9 - 3
Facia Items.....	9 - 4
15" Touchscreen.....	9 - 4
19" Touchscreen.....	9 - 4
Touchscreen Dimensions	9 - 4
Heights and Depths	9 - 4
Distance for Voice Guidance	9 - 4

Servicing Areas	9 - 5
Optimum	9 - 5
Minimum.....	9 - 5

AUDIENCE

This document is intended for architects and those responsible for preparing a site prior to the arrival of the ATM.

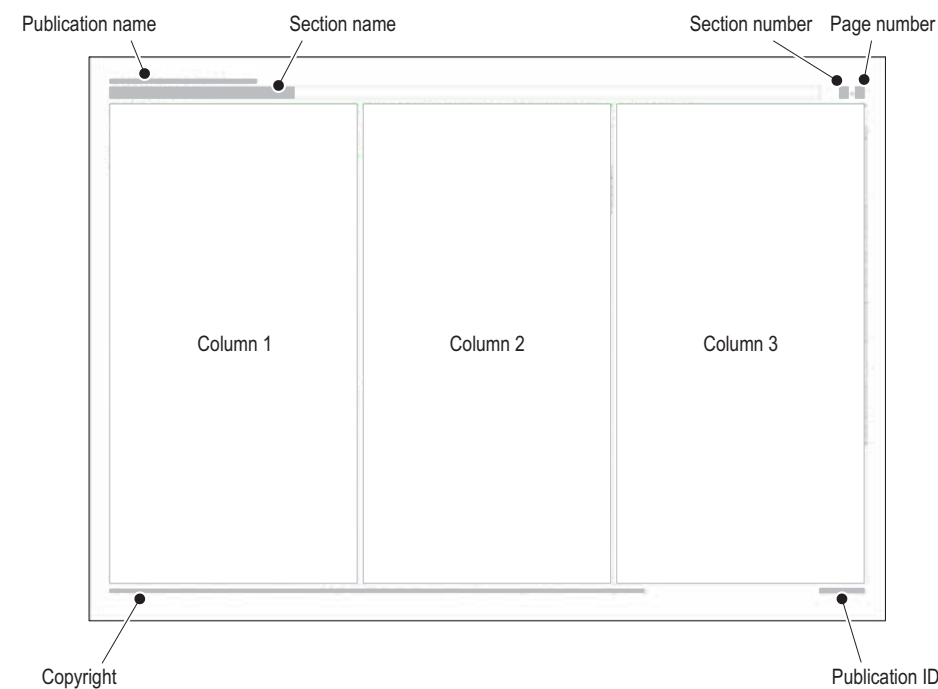
ABOUT THIS DOCUMENT

This site preparation document is designed to be read on wide aspect ratio screens. Each section has been structured to fit the maximum amount of information on the minimum number of pages yet still be readable when printed on A3 size paper. Printing on smaller paper sizes may reduce readability but will make handling easier.

The document is organised into sections covering the following topics:

- Introduction - this section
- Customer Responsibilities
- Standards Compliance
- Product Overview
- Site Requirements
- Power Requirements
- Cable Requirements
- Decals
- Variant Details

Each page has two or three columns laid out as follows:



Where left and right side are stated the ATM is viewed from the front (facia side) of the ATM. All plan views are from the top unless otherwise stated.

Unless otherwise stated all dimensions are rounded to the nearest millimetre and equivalent decimal of an inch.

REVISION RECORD

Date	Revision	Pages	Reason for Change
January 2017	A	All	Initial release

NOTICE

This is a contractual document. It contains important warnings and confers important legal rights and obligations. You are advised to read it carefully.

It is the responsibility of you, the customer, to assure that all installation preparations are complete and in compliance with all specifications and requirements of NCR and all applicable national, state, or local codes, regulations and laws.

This equipment must be installed and used in strict accordance with the manufacturer's instructions. However, there is no guarantee that interference to radio communications will not occur in a particular commercial installation. If this equipment does cause interference, which can be determined by turning the equipment off and on, the user is encouraged to consult an NCR service representative immediately.



CAUTION NCR Corporation is not responsible for any radio or television interference caused by unauthorized modifications of this equipment or the substitution or attachment of connecting cables and equipment other than those specified by NCR. Such unauthorized modifications, substitutions, or attachments may void the user's authority to operate the equipment. The correction of interference caused by such unauthorized modifications, substitutions, or attachments will be the responsibility of the user.

SITE COMPLIANCE

This document contains the information necessary for the preparation of a site conforming to NCR specifications. It is very important that the site complies with the requirements specified in this document, because, once the equipment has been installed, deficiencies in site preparation or the problems caused by these deficiencies are much more difficult to detect and correct.

Further, failure to comply with these requirements or to take proper steps to protect equipment against risks identified in this document may cause serious damage to the equipment and to the customer's business.

In addition to the need to comply with the requirements specified, electrical wiring and mechanical systems must also comply with all relevant codes, laws and regulations.

It is important that the site be prepared by a customer or his agent who is fully conversant with the special requirements of electronic equipment. The responsibility for ensuring that the site is prepared in compliance with this document remains with the customer.

For information and guidance purposes only, a list is provided, in general terms, of those matters for which the customer is responsible. This list is not intended to be comprehensive, and in no way modifies, alters, or limits the responsibility of the customer for all aspects of adequate site preparation.

NCR staff will be available to answer questions relating to the contents of this document but, except where:

- a. the customer has been notified that a full or partial consultancy service is available and/or that NCR will be willing to undertake a preliminary or final site survey and
- b. the customer shall have entered into a formal contract with NCR for provision of the same

no comment, suggestion or advice offered or not offered about preparation of the site nor any inspection of the site whether before or after preparation is to be taken as approval of the location of the site and equipment or of its preparation and NCR will not be liable in respect of any comment, suggestion or advice given by its staff or in respect of any failure to give advice.

- Finally, only the customer can know the full extent of damage which may be caused to his business by reason of failure of the equipment which is to be installed. For this reason it is the customer's responsibility to ascertain the extent of any such possible damage to his existing or planned business, and to effect, full insurance in respect of it.

CUSTOMER ACTIONS

The customer must do or provide the following:

- When required by NCR, provide the NCR customer service representative with appropriate drawings that indicate:
 - Location of the equipment
 - Site wiring (power and signal, paths and lengths)
- Location of other equipment capable of generating electrical noise, electromagnetic interference, heat, etc.
- Make building alterations necessary to meet wiring and other site requirements.
- Provide and install all communications cables, wall jacks, special connectors, and associated hardware.
- Provide and install necessary power distribution boxes, conduits, grounds, lightning protection, and associated hardware.
- Make sure all applicable codes, regulations and laws (including, but not limited to, electrical, building, safety, and health) are met.
- Provide and install auxiliary power or other equipment as required.
- Provide storage or service areas as required.
- Make sure the environmental requirements of the system/unit are met.
- Provide floor coverings and environmental systems that limit or control static electricity build-up and discharge.
- Install the product at a height which meets the accessibility regulations of the relevant country.

RADIO FREQUENCY INTERFERENCE

FCC Radio Frequency Interference Statement

This equipment has been tested and found to comply with the limits for a Class A digital device, pursuant to Part 15 of the Federal Communications Commission (FCC) Rules. These limits are designed to provide reasonable protection against harmful interference when the equipment is operated in a commercial environment. This equipment generates, uses, and can radiate radio frequency energy and, if not installed and used in accordance with the instruction manual, may cause harmful interference to radio communications. Operation of this equipment in a residential area is likely to cause harmful interference in which case you, the customer, will be required to correct the interference at your own expense.

Canadian Class A Device Declaration

This digital apparatus does not exceed the Class A limits for radio noise emissions from digital apparatus set out in the Radio Interference Regulations of the Canadian Department of Communications.

Le présent appareil numérique n'émet pas de bruits radioélectriques dépassant les limites applicables aux appareils numériques de la classe A prescrites dans le Règlement sur le brouillage radioélectrique édicté par le ministère des Communications du Canada.

SAFETY

Safety Directive

- 73/23/EEC, 93/68/ECC 'Low Voltage Directive and Amendment'.

Harmonised Safety Standard

- EN 60950-1: 2006 'Information Technology Equipment - Safety'
- EN 60950-22: 2006 'Information Technology Equipment - Safety' Equipment installed Outdoors

ELECTROMAGNETIC COMPATIBILITY (EMC)

Immunity Standards

The ATM complies with the following requirements for radiated and conducted immunity:

- EN 55024 (1998)/+A1: 2001, A2: 2003

As per the requirements of EN55024, the ATM complies with the requirements of the following normative Immunity Standard:

- EN 61000-4-2 Electrostatic Discharge
- EN 61000-4-3 Radiated RF
- EN 61000-4-4 Electrical Fast Transient/Burst
- EN 61000-4-5 Surge
- EN 61000-4-6 Conducted RF
- EN 61000-4-8 Power Frequency Magnetic Field
- EN 61000-4-11 Voltage Dips/Short Interruption.

EMC Directives

This equipment has been found to comply with the essential requirements of EMC Directive 2014/30/EU, by testing to harmonized standards EN55032, EN55024, EN61000-3-2 and EN61000-3. The equipment complies with the limits for a Class A digital device, pursuant to EN55032.

The ATM complies with the following Electromagnetic Compatibility (EMC) directives and standards for IT equipment:

- 2014/30/EU 'EMC Directive'
- 93/68/EEC 'CE Marking Directive'

Emission Standards

The ATM complies with the following requirements for radiated and conducted emissions:

- EN55032 Class A
- FCC 47CFR Part 15. Class A
- CISPR 32 Class A
- AS/NZS 3548 Class A
- GB 9254 Class A
- CNS 13438 Class A.



WARNING This equipment is compliant with Class A of CISPR 32. In a residential environment this equipment may cause radio interference.

Additional Requirements for 220V - 240V Units

The ATM complies with the following requirements for conducted emissions:

- EN 61000-3-2: 2000, Mains harmonics, Class A
- EN 61000-3-3: 1995/+A1: 2001, Mains flicker.

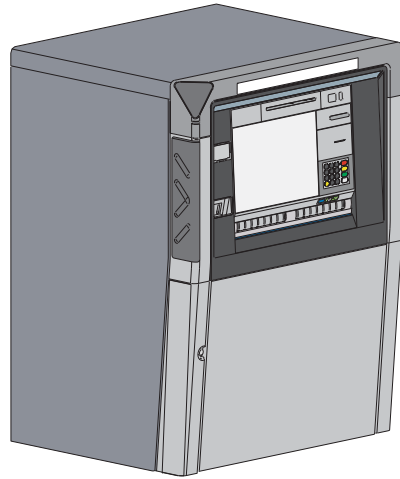
ACCESSIBILITY

It is the responsibility of the owning institution to ensure that the heights from the sidewalk level to the fascia items comply with any local regulations.

Note: The heights listed in this document assume that the installation does not add depth in front of the ATM. Increased depth may change the height requirements due to increasing the user's reach, therefore please refer to the relevant accessibility regulation if additional depth has been added.

GENERAL DESCRIPTION

The NCR SelfServ 88 is a drive-up (Automated Teller Machine (ATM) which can also be deployed as a walk-up ATM.



Options

Security Enclosure

- CEN 1

ACOUSTICS

For most variants the acoustics sound power does not exceed:

- 65 dB(A) when idle
- 68 dB(A) when operating (see note).

However, the following configurations will affect the sound levels as shown in the table below:

Configuration	Acoustic sound power when operating
Coin	does not exceed 72 dB(A)
Cooling fans	does not exceed 75 dB(A)
Air conditioner	does not exceed 78 dB(A)

HEAT DISSIPATION

The NCR SelfServ product range is a flexible hardware platform. NCR recommends that actual power measurements are taken and used to establish the heat dissipation for specific hardware configurations. These measurements should include any custom or third party features.

Where specific measurements are not available then, as a guide, **760 KJ/hour** can be used as an indicative heating load. This figure is based on an ATM in idle mode, with a medium to high feature functionality configuration.

Heat dissipation figures are largely unaffected by transactional rates.

PRODUCT IDENTIFICATION

The illustration below is typical of the layout of the product identification label which is fixed inside the ATM.



The product is identified by a class and a 4 digit model number. The serial number is unique to each ATM. The tracer number is used to identify where the ATM was built.

Please quote all of the serial and tracer numbers, including the prefix, when making reference to the ATM.


Electrical rating information is also shown on the product label.

POSITIONING THE ATM

Position the ATM where bright sunlight will not fall directly on the display.

Allow sufficient room for installation and servicing requirements.

Do not obstruct access to the air conditioning unit, if fitted.

CAUTION  The ATM is designed to withstand exposure to rainfall. However do not locate it where it may be exposed to water spray, for example, from vehicles driving through puddles.

ISLAND

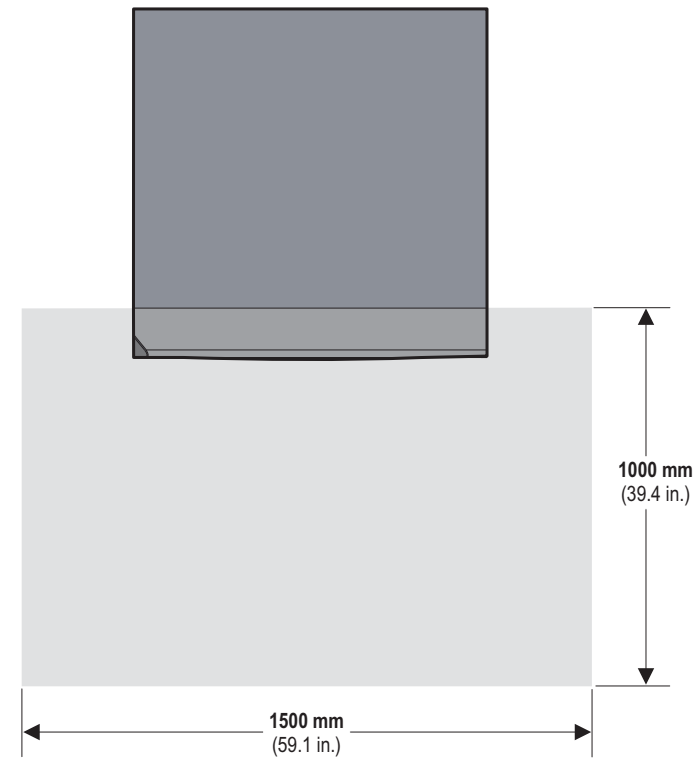
The ATM is designed for installation on a concrete island. The island must be level and even.

The ATM must be installed on an island, or base, capable of supporting the maximum weight including media. Only the maximum weight should be considered as additional options may be added after installation. Floor loading is calculated by dividing the maximum weight of the ATM by the surface area of the ATM base in contact with the floor.

Service areas, ATM weights and floor loading for your ATM can be found in the Variant Details section.

AMBIENT LIGHTING

If the ATM is fitted with a camera, it is strongly recommended that there is a minimum of **50 LUX** lighting at floor level within the area illustrated below.

**TASK LIGHTING**

A minimum of **200 LUX** is required for task lighting.

BAROMETRIC PRESSURE

- Operating/Transit Limits: **105 kPa** (15.2 lb.F/in.) to **70 kPa** (10.2 lb.F/in.)
- Equivalent Altitude: Up to a maximum of **3000 m** (9842.52 ft)

TEMPERATURE AND HUMIDITY

Continuous operating at or near the range limits, or in a location where the temperature and humidity change beyond the specification, should be avoided.

Normal Operating Range

- Temperature: **-35°C to 50°C** (-31°F to 122°F)
- Relative Humidity: **10% to 100%**
- Dew Point Temperature Restriction: **26°C** (79°F) maximum

Storage Range (Up To Three Months)

- Temperature: **-10°C to 50°C** (14°F to 122°F)
- Relative Humidity: **10% to 90%**

Transit Range (Up To One Week)

- Temperature: **-40°C to 60°C** (-40°F to 140°F)
- Relative Humidity: **5% to 95%**

Extreme Power On Range (Up To One Hour)

- Temperature: **0°C to 45°C** (32°F to 113°F)
- Relative Humidity: **10% to 95%**

AC POWER REQUIREMENTS

The maximum current requirements are:

- 30A at 120V
- 15A at 230V.

The maximum inrush current is:

- 50A peak at 136V
- 80A peak at 257V.



CAUTION Power to the ATM is to be a dedicated 30A service. The ATM must comply with local code requirements and be protected with a 30A circuit breaker.

NCR does not recommend running an ATM with deposit devices without an Uninterruptible Power Supply (UPS). Without a UPS, there is the potential for customer's cash to be retained in the device if there is a power failure.

INPUT VOLTAGE

The ATM can operate from the following input mains voltages:

- 90V to 136V at 50/60Hz
- 198V to 257V at 50/60Hz.

GROUNDING

The ATM operates from a single phase, 3 wire supply; live, neutral and ground. The power requirements of this unit require a dedicated hard wired connection.

Where the supply is provided from a general purpose distribution panel, then the other branch circuits from this panel must not be used to supply heavy inductive loads such as air conditioners, AC motors.

Consideration should be given to the following;

- the installation meets or exceeds the regulatory and local guidelines with regard to electrical safety and all conductor sizing
- the location of the ATM with regard to cable runs and also nature of neighbouring electrical equipment.

The normal and safe operation of this ATM is dependant on the above. Only qualified personnel that meet local certification standards should be permitted to ensure compliance.

Note that the building ground point can also affect data integrity. For additional information refer to [Data Line Transient Protection](#) in the [Cable Requirements](#) section.

TRANSIENT POWER LOSS

The voltage loss due to power interruptions must not be more than 50% of the nominal value for a maximum of one half cycle at a maximum rate of 1 every 10 seconds.

TRANSIENT PROTECTION

In the process of power distribution, transient electrical energy (including, but not limited to, lightning strikes, intermittent short circuits, and switching transients) can be introduced on to power lines. Such transient energy can be very damaging to electronic hardware and can also cause data corruption. Under these circumstances, NCR recommends the use of AC power transient suppressors and data (communication) line transient suppressors. Such protective devices are intended to guard against power and data line transients that can result in hardware damage and various system or program errors.

Improvement of any deficiencies in power quality is a customer responsibility. Malfunction and/or component failure as a result of power quality problems are/is not covered by NCR Corporation Maintenance Agreement. NCR accepts no liability for any such occurrence nor for its consequences.

When power transient suppression is required, the suppressors used should meet the following minimum requirements:

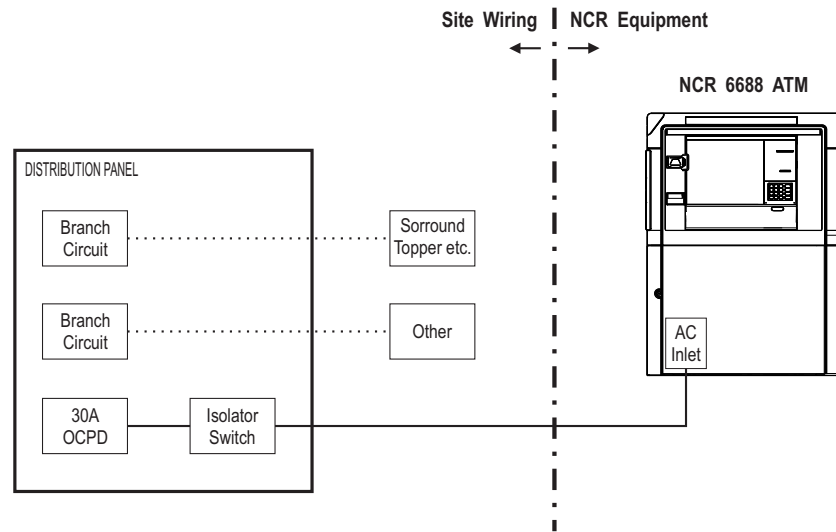
- Dissipate energy to match the appropriate application categories as defined by ANSI/IEEE Standard C62.41, Guide on Surge Voltages in Low-Voltage AC Power Circuits.
- Be of the voltage limiting (clipping), or tracking filter type. The suppressor must not 'clamp' the voltage to zero, and must self-recover after the passage of the transient. The suppressor may be of the hybrid type construction that makes use of various technologies in order to meet speed and dissipation requirements.
- Exhibit a 'short circuit' mode upon its failure, thus providing a positive indication of its failure such as a blown fuse or tripped breaker
- Be listed by the accepted safety organization for the country involved (e.g. UL, CSA, VDE, ETL, etc.) and the installation must conform to local, state, and national electrical codes and regulations.

Location Category	Comparable to IEC No 664 Category	Transient	
		Waveform	Amplitudes
B = Major feeders, short branch circuits, and load centres	III	Volts = 1.2 x 50 μs	6kV
		Current = 8 x 20 μs	3kA
C = Service Entrance and run to load centre	IV	0.5 μ Rise - 100 kHz	6kV
		Ringwave	500A
C = Service Entrance and run to load centre	IV	Volts = 1.2 x 50 μs	10kV or more
		Current = 8 x 20 μs	10kA or more

Transient Protection Products

NCR provides a full range of both AC power and data line transient surge suppressors to protect your ATM. For more information, please call NCR Site Preparation Services for more information.

AC WIRING DETAILS

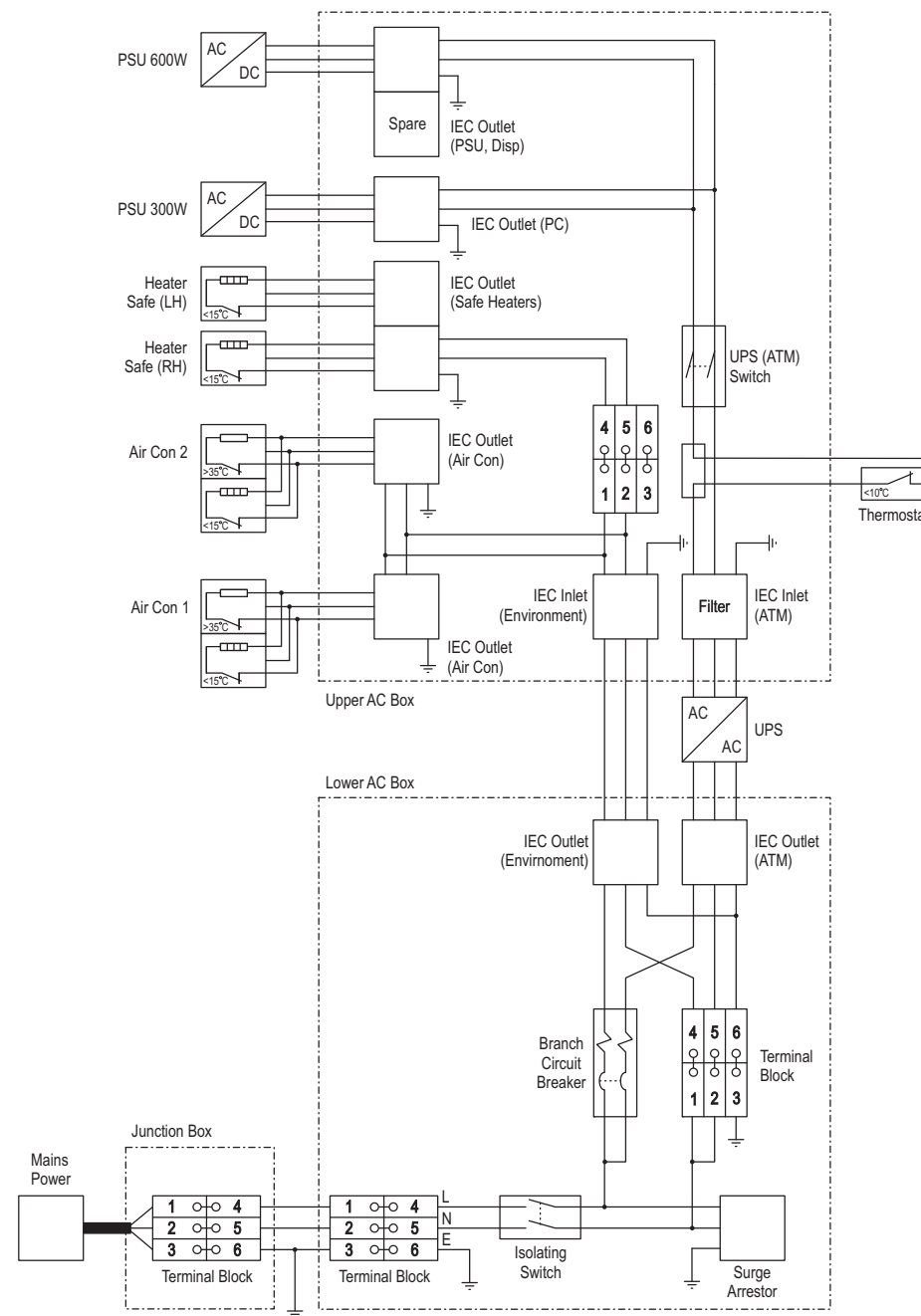


Note 1: Dedicated 30A Service - The NCR SelfServ 88 ATM must have a dedicated 30A service.

Note 2: Branch Circuits - The conductors (L, N, E) must comply with all national and local regulations.

Note 3: Distribution Panel - The distribution panel must be free of heavy start loads and other electrically noisy equipment.

AC Distribution Wiring Diagram



THIRD PARTY SURROUND/TOPPER WIRING

The following information is for guidance only, when providing power to a third party surround/topper outside of the ATM.

It is the responsibility of the customer to make sure that all site preparations are complete and in compliance with NCR specifications and requirements and with all national, state or local electrical codes, telephone and telegraph regulations and laws.

Customer Responsibilities

The customer **must** make sure of the following:

- Power is from a separate dedicated source and is not tapped into the ATM's dedicated 30A circuit (which is required to provide power to the ATM only)
- Surround/topper, or other equipment, is not plugged onto the internal AC outlet or power bar (if fitted)
- NCR recommends external routing, however, if power is routed internally through the ATM, it is routed safely and securely and does not interfere with any internal module functions
- All applicable codes, regulations and laws (including but not limited to electrical, building, safety and health, disabilities) are met
- The environmental requirements of the system/unit are met.



CAUTION The power cable must be connected by a certified electrician.

NCR Responsibilities

NCR Corporation is not responsible for any modifications or wiring of this equipment. Such modifications may void the customer's authority to operate the equipment. The correction of interference caused by such modifications will be the responsibility of the customer.

Recommended Wiring

It is recommended that power to the surround/topper be routed externally, outside of the ATM, ensuring all codes, regulations and laws are met. Electrical conduit may be attached to the outside of the ATM.

The power must be from a dedicated source separate from the ATM.

The illustration below shows two examples of correct external wiring methods.

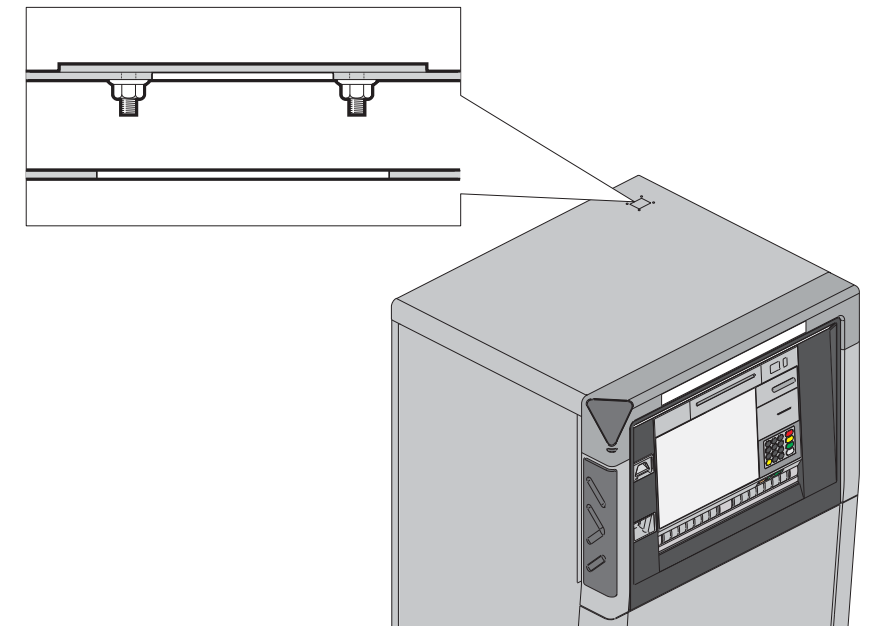


Power is routed externally from a dedicated source separate from the ATM

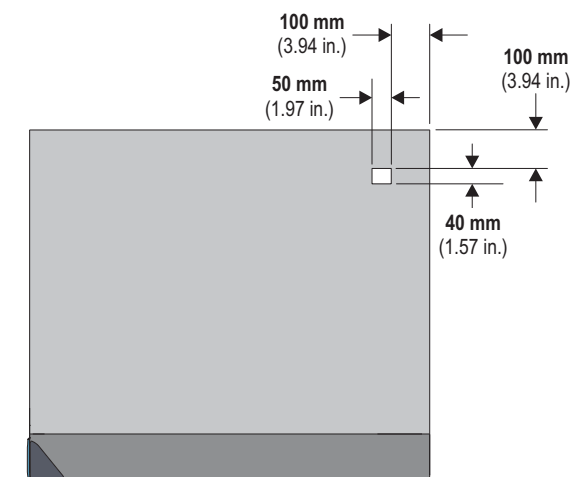
When Wiring Cannot be Routed Externally

Disclaimer: NCR is not liable for any additional third party wiring. It is important that the site be prepared by a customer who is fully conversant with the special requirements of the electronic and electrical equipment. The responsibility remains with the customer.

There is a topper blank plate fitted to the top of the ATM. This access point can be used for topper wiring **subject to the disclaimer above**.



Topper Hole Location



See the NCR SelfServ 88 ATM Installation Guide (B006-7480) for details.

CABLE PREPARATION

External cables are not supplied. Specifications for these cables are given in this section.

It is the customer's responsibility to have any required external cables installed and to make sure that all cable preparations comply with NCR specifications as well as with all national, state or local telephone and telegraph regulations and laws.

When producing cables allow for **2.2 m (7.22 ft)** of cable within the ATM.

DATA LINE TRANSIENT PROTECTION

Voltage transients, line noise, surges, sags, impulses, and spikes may be experienced routinely or sporadically. When such phenomena occur the use of protective devices may be required to ensure proper operation of the equipment.

It is the responsibility of the customer to install and connect a data line transient suppression system to correct or prevent any deficiencies. Such systems must meet the following minimum requirements:

Be of the self-recovering voltage limiting type. Exhibit a 'short circuit' mode upon its failure to ensure a positive indication of its failure. Insert minimum inductive and capacity loading at the operating frequency. Be installed in accordance with all applicable local, state, and national electrical codes and regulations.

Protect the data port from damage in the presence of a data line transient event as defined in IEC Standard 1000-4-5 (formerly IEC 801-5).

Transient Protection Products

NCR provides a full range of both AC power and data line transient surge suppressors to protect your ATM. For more information, please call NCR Site Preparation Services for more information.

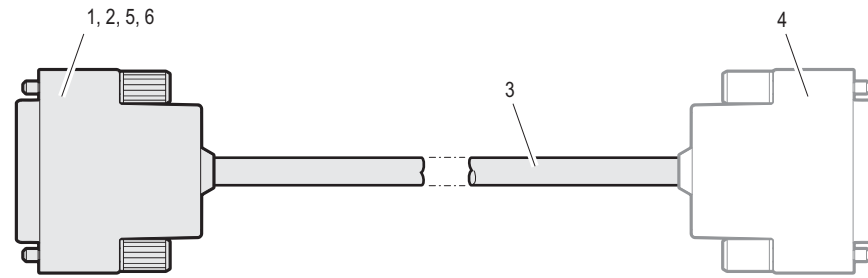
ALARM INTERFACE CABLES

The ATM may optionally be configured to provide an alarm interface which enables the ATM to be connected to an external local alarm system. The interface may take the form of one of two options; a basic alarm system or an enhanced alarm system.

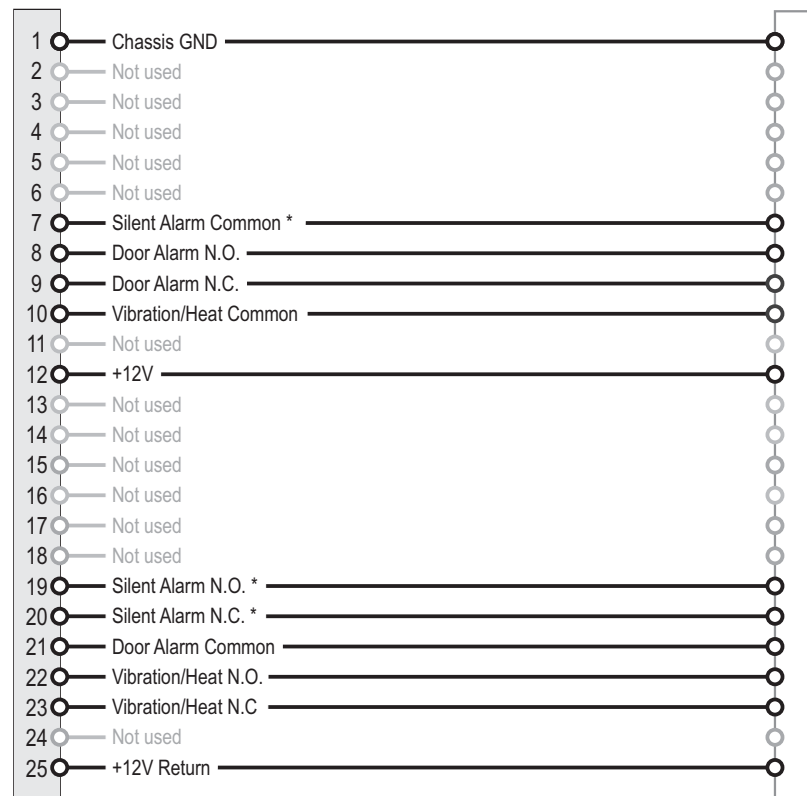
A stabilised, non-interruptible power supply must be provided through the external alarm system. The alarm interface cable wiring must conform to the following specification:

- 12V +/- 2V dc
- 200mA maximum
- Ripple, 5% maximum.

Basic Alarm Cable



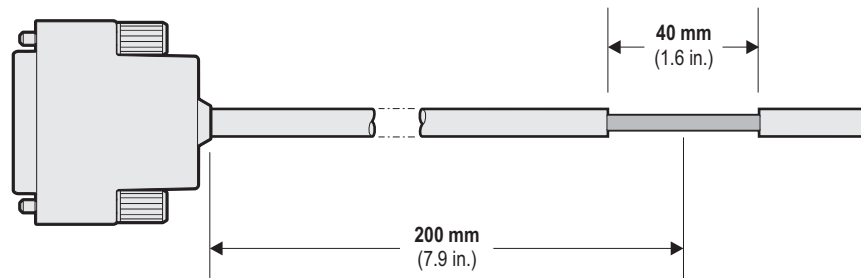
1. Connector, 25 Way (NCR part no. 006-0005896)
2. Terminal, wire, female (NCR part no. 009-0002640)
3. Cable, multiconductor (determined by the alarm installed).
4. Connector (determined by remote device).
5. Shell Hood (NCR part no. 006-1500038).
6. Screw retainer (NCR part no. 601-0101584).



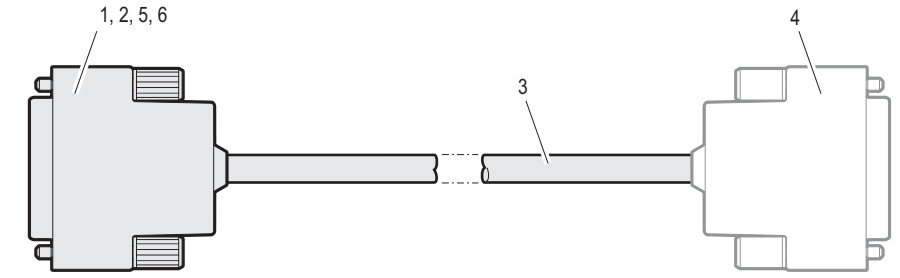
* Optional

Remove a **40 mm (1.6 in.)** section of the outer sleeve, **200 mm (7.9 in.)** from the ATM end of the cable.

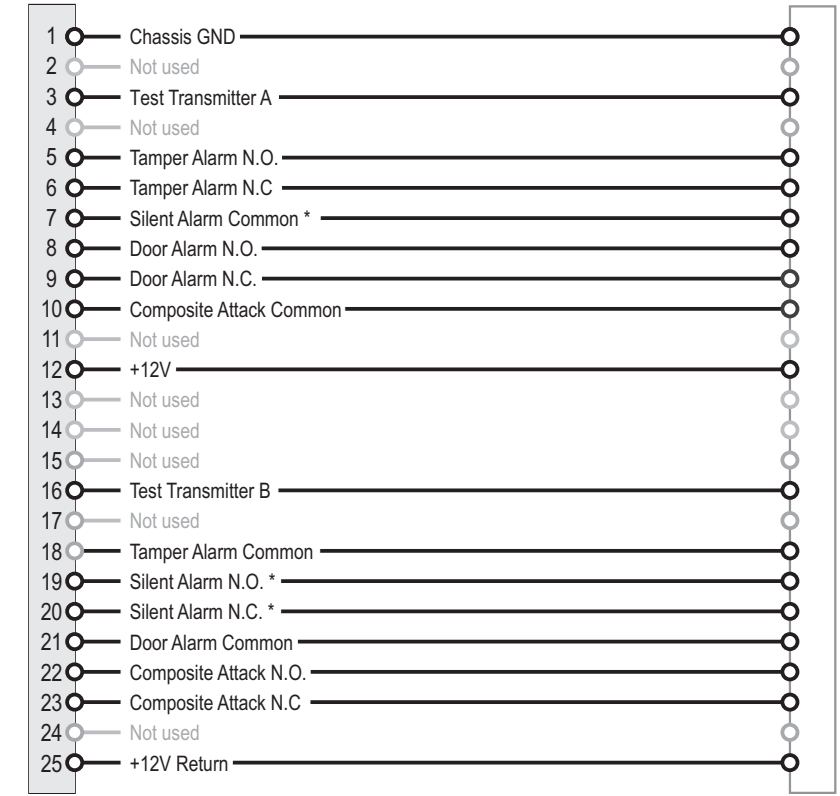
Take care not to cut through the cable shielding.



Enhanced Alarm Cable



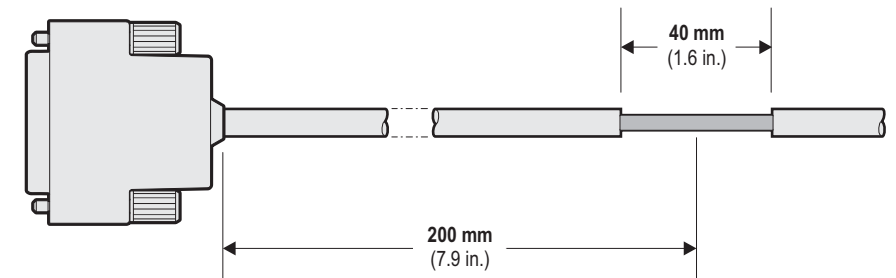
1. Connector, 25 Way (NCR part no. 006-0005896)
2. Terminal, wire, female (NCR part no. 009-0002640)
3. Cable, multiconductor (determined by the alarm installed).
4. Connector (determined by remote device).
5. Shell Hood (NCR part no. 006-1500038).
6. Screw retainer (NCR part no. 601-0101584).



* Optional

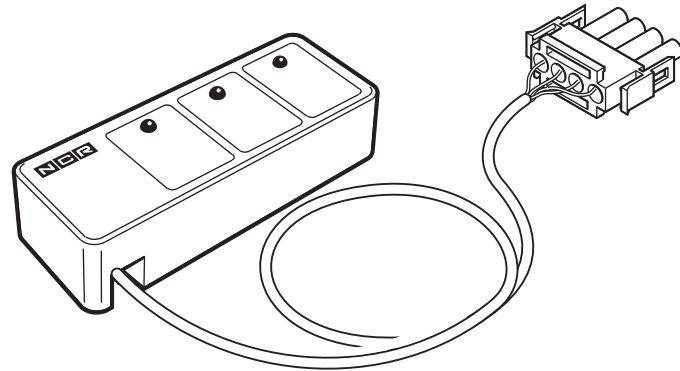
Remove a **40 mm (1.6 in.)** section of the outer sleeve, **200 mm (7.9 in.)** from the ATM end of the cable.

Take care not to cut through the cable shielding.



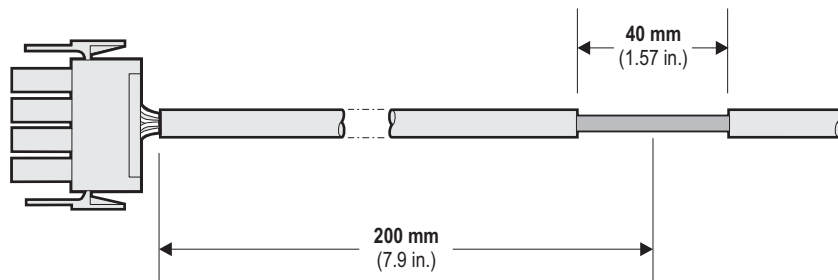
REMOTE STATUS MONITOR

The remote status monitor feature is supplied as a complete assembly consisting of a status indicator unit, **76.2 m** (250 ft) of cable and a connector.



Remove a **40 mm** (1.6 in.) section of the outer sleeve, **200 mm** (7.9 in.) from the ATM end of the cable.

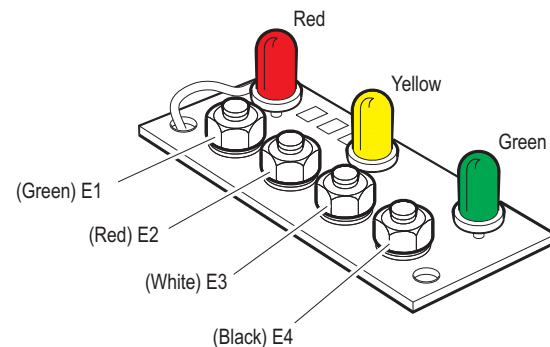
Take care not to cut through the cable shielding.



Shortening the Cable

If you need to shorten the cable, proceed as follows:

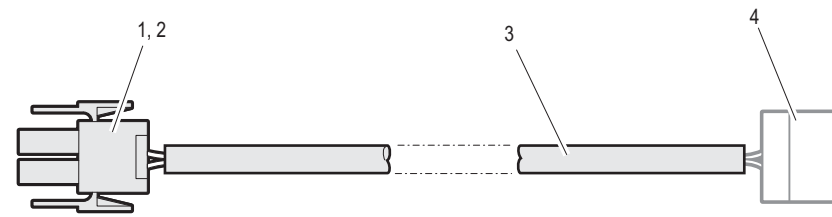
1. Remove the cover from the remote status indicator unit
2. Disconnect the four leads (E1, E2, E3 and E4) from the indicator



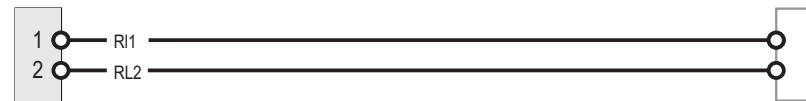
3. Cut the cable to the required length and strip the four wire ends
4. Connect the wires to the correct terminals
5. Replace the status indicator cover.

REMOTE RELAY CABLE

The remote relay provides a pair of open contacts, rated at 28 volts per ampere for both ac and dc supplies, which can be closed to activate a remote device. The interconnecting cable to a remote device must conform to the following specification and wiring:

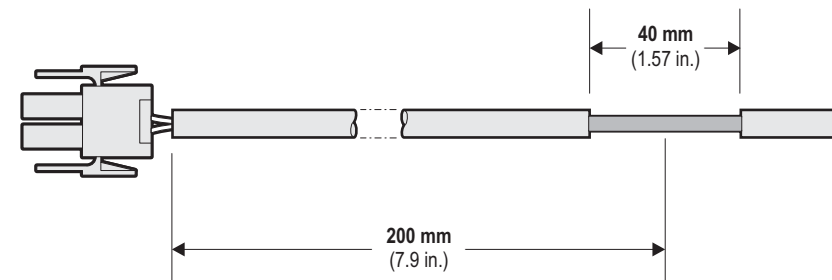


1. Connector, 2 way Mate-N-Lock (NCR part no. 007-9814285).
2. Terminal wire, male (NCR part no. 007-2009663).
3. Cable, multiconductor (NCR part no. 006-5800006).
4. Connector (determined by remote device).



Remove a **40 mm** (1.6 in.) section of the outer sleeve, **200 mm** (7.9 in.) from the ATM end of the cable.

Take care not to cut through the cable shielding.



ETHERNET STANDARD CABLE

The ethernet standard cable must be fully shielded, 8 pin, category 6 compliant and must not exceed **97 m** (318.20 ft) in length.

Removing a section of the outer sleeve is not required for the NCR SelfServ 88 ATM.



POWER CABLE

The ATM is a fixed wire product and is not supplied with a power cable. See the Power Requirements section for information about how the internal wiring of the ATM is connected to a dedicated 30A circuit via a terminal block connector.

WARNING The cable used to connect to the ATM must have copper conductors and must comply with local code requirements.

WARNING This equipment must be earthed.

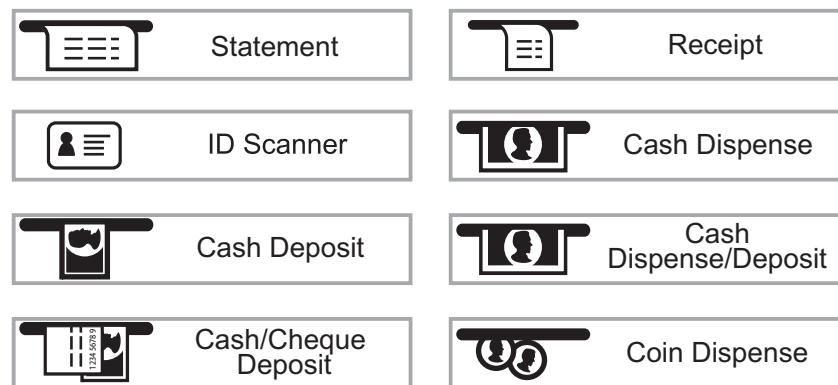
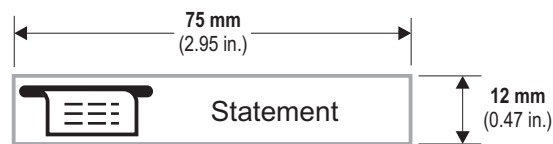
ENTRY/EXIT DECALS

Entry/Exit decals should be a maximum of **0.5 mm** (0.02 in.) thick. NCR recommends they be made from textured polycarbonate with 3M 467 High Performance MP adhesive.

Decals should provide good contrast, at least 70%, between foreground (text/icon) and background.

A sans serif typeface should be used (Tiresias is recommended). The text size should be at least 14 point, and larger where possible. Where tactile decals are required they should be designed in line with specific country requirements.

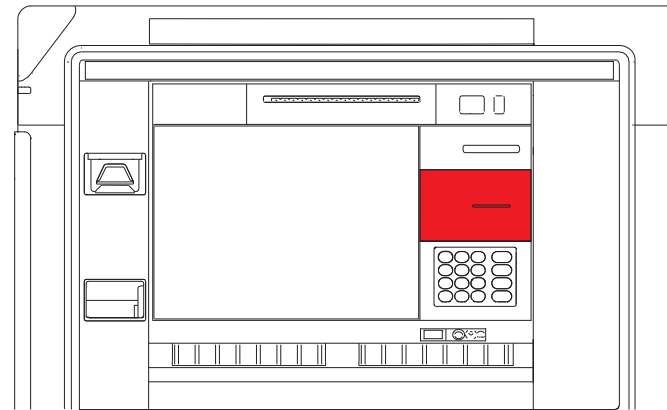
Suggested icon designs and wording are shown below:



CAUTION When placing any card reader decal, make sure that the label does not obscure the contactless card reader or card reader entry slot lights.

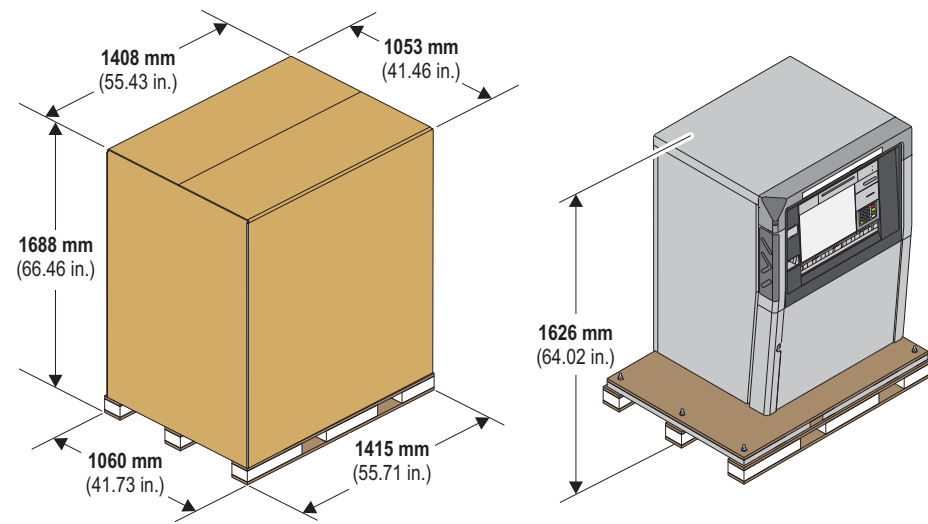


CAUTION Do NOT place any metallic coated or substrate label on the glass area around the CCR or card reader, highlighted below:

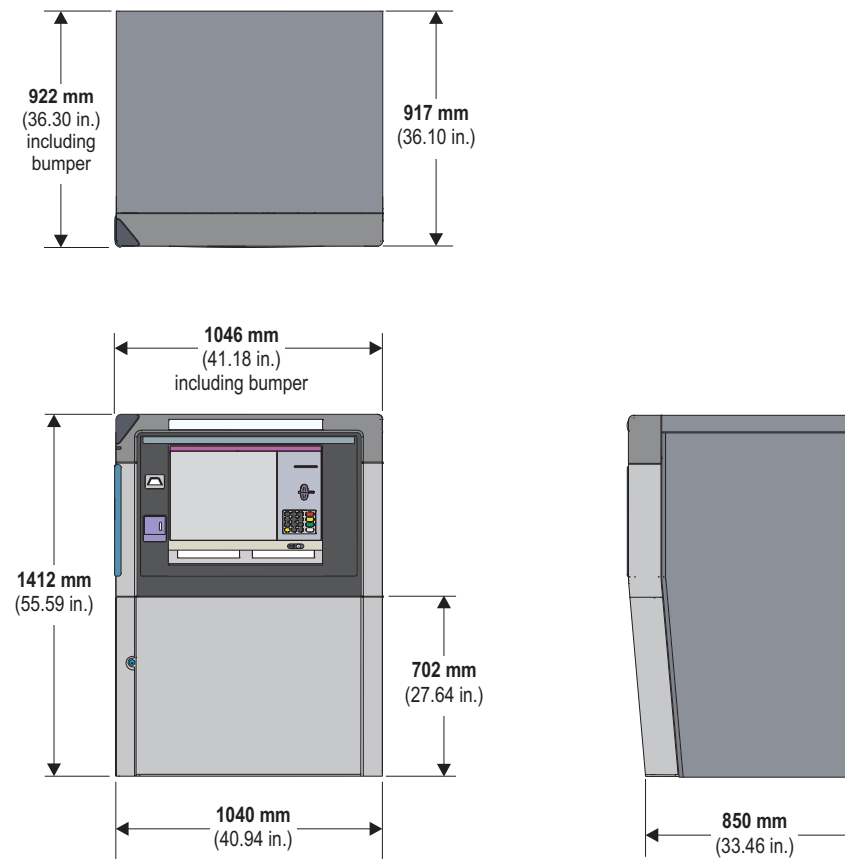


Decals

PACKAGE DIMENSIONS

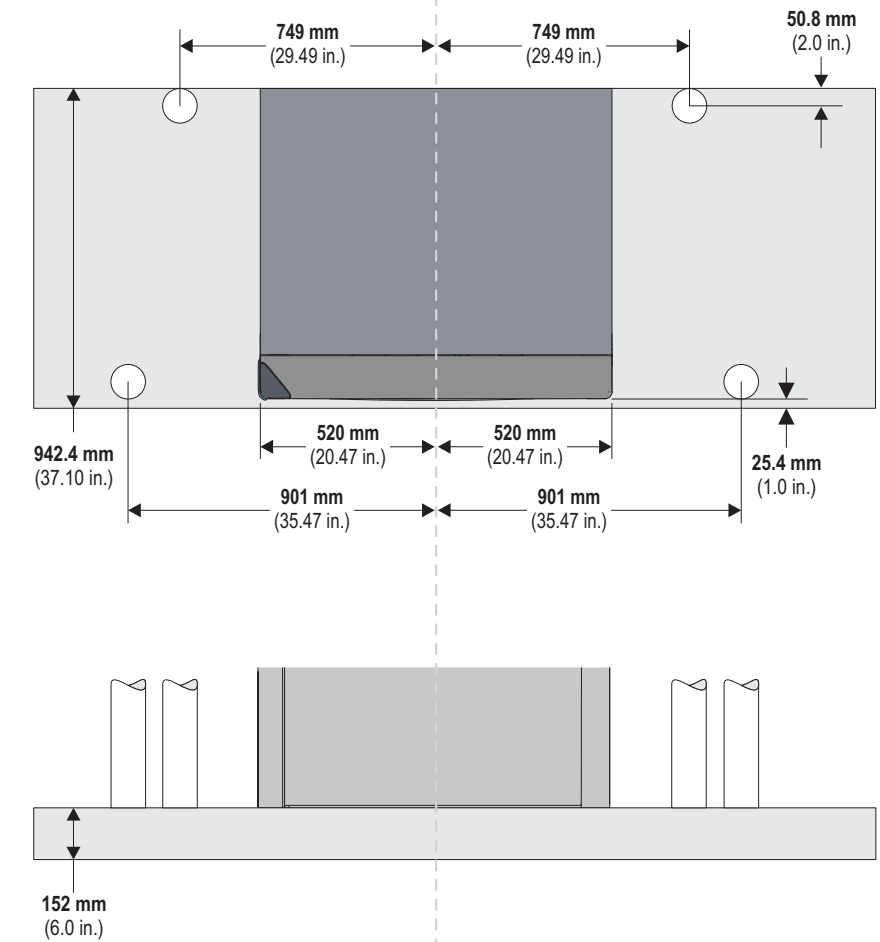


ATM DIMENSIONS



ISLAND DIMENSIONS AND BOLLARD LOCATIONS

The illustration below shows the dimensions for the minimum island size. NCR recommends that the rear bollards are **102 mm (4.0 in.)** in diameter, and positioned in line with the rear of the ATM, front bollards are **102 mm (4.0 in.)** in diameter and positioned **25.4 mm (1.0 in.)** back from the front of the island. When locating the bollards allow sufficient working space for servicing the air conditioning unit.



Anti-theft Bollards

If anti-theft bollards (also known as anti lassoing bollards) are to be fitted, the bollard exclusion zone around the ATM must be complied with to allow sufficient access for removing panels, refer to the [Servicing Areas](#) section.

WEIGHT

Standard Security Enclosures

	CEN Grade 1
Maximum weight	983 kg (2167.1 lb.)
Floor loading	1596 kg/m ² (326.8 lb./ft ²)

SECURITY BOLTS

The island, or base, must be capable of withstanding the loading imposed by the anchor points for the bolts. Bolts and anchors must be supplied by the owning organisation.

To ensure conformity to EN1143-1 Anchoring Strength Test, it is recommended that the ATM is bolted to the island, or base, through all six of the security enclosure bolt holes, using bolts with anchor washers as specified below. Bolts and anchor washers are to be supplied by the owning organisation.

Make sure that the island, or base, is capable of withstanding the loading imposed by the anchor points for these bolts.

If an adjustable plinth is used, it must be bolted to the island, or base, to the same specification as the ATM.

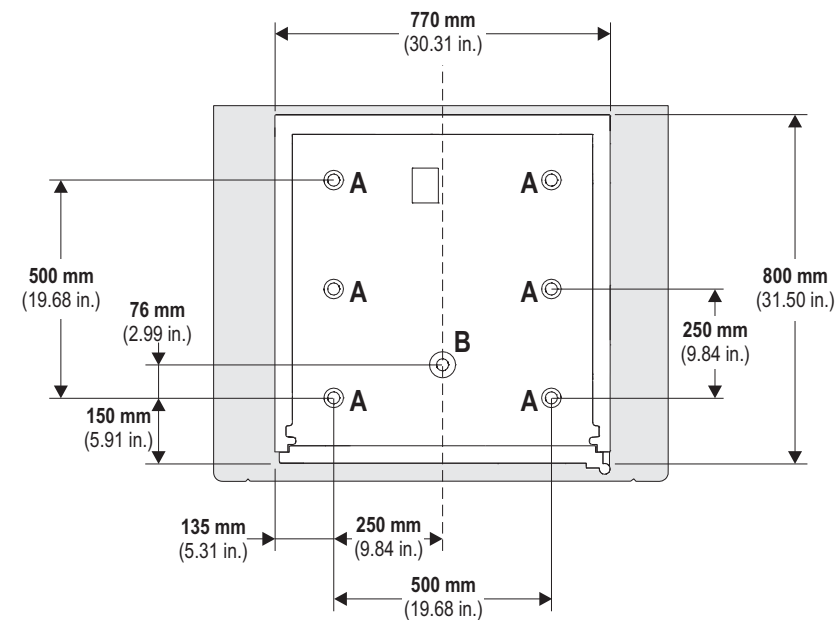
The minimum specification for bolts and washers to secure the ATM is:

- Bolts
 - Type - either resin anchor or shield anchor bolts
 - Size - **M16** (5/8 in.)
 - Minimum Length - **150 mm** (5.9 in.)
 - Strength - high tensile (minimum ISO property class **8,8**).
- Washers
 - Type - flat, steel (as per DIN7349 or equivalent)
 - Size - **M16** (5/8 in.)
 - Outer diameter - no greater than **40 mm** (1.58 in.)
 - Minimum thickness - **6 mm** (0.2 in.).

BOLT HOLES

The ATM should be bolted to the floor or plinth, through the holes marked 'A', using the six bolts with anchor washers.

The hole marked 'B' enables a security sensor to be fitted.



CABLE ENTRY

Cables enter the ATM through a hole in the base of the security enclosure. There should be a conduit hole in the island of sufficient size to allow the cables to be coiled ready to be brought into the security enclosure.

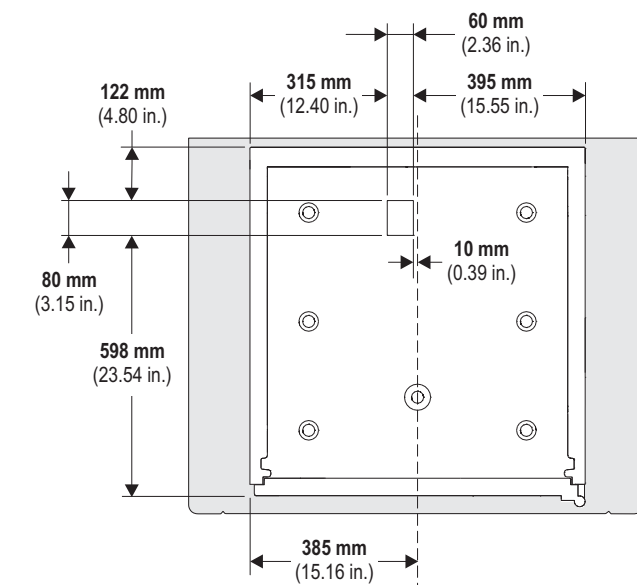
Make sure that the island conduit hole is free from any material that may impede the cables. The hole should not be sealed or filled with concrete.

The actual conduit hole may be larger than the that shown depending on the installation.

Distribution boxes and any power and wiring conduits must not protrude above the surface of the island.

ATM Cable Entry

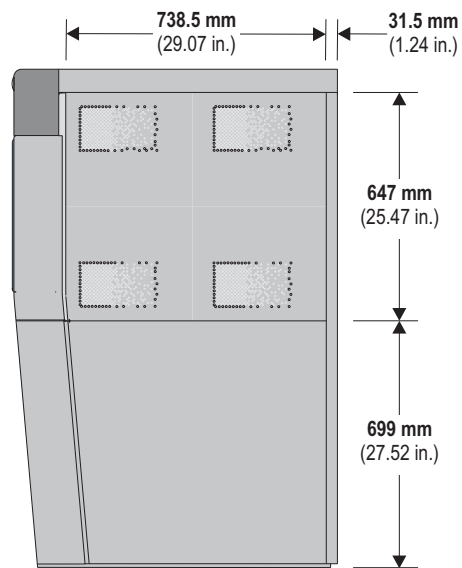
CEN Security Enclosure



VENTS LOCATION - AIR FLOW

Unrestricted air flow is required on the right-hand side of the ATM. There must be no obstruction of the vents at any time.

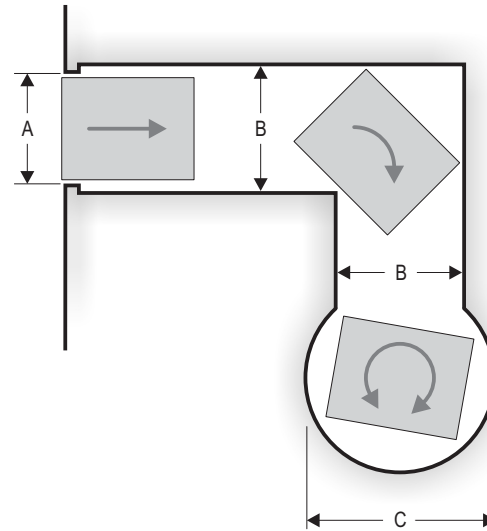
If a third-party surround/topper is fitted then equivalent venting or hot air extraction system must be installed within the surround/topper.



CLEARANCES - CORRIDOR

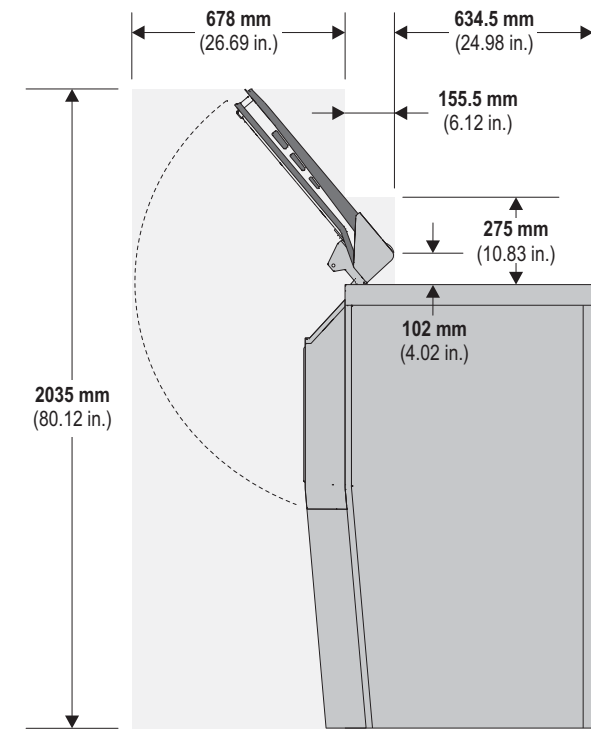
The dimensions shown assume the ATM is being moved using equipment that does not extend beyond the ATM or packaging.

A surrounding clearance of **6 mm (0.24 in.)** has been allowed in the dimensions.

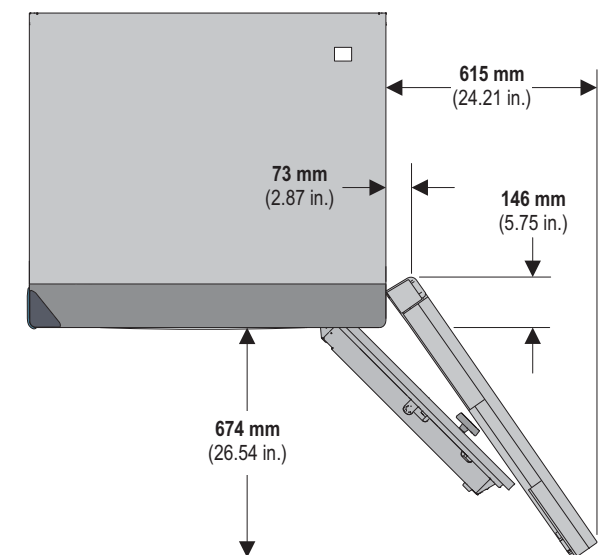


		Packaged ATM (pallet & carton)	Unpackaged ATM
A	Doorway or straight corridor	1072 mm (42.20 in.)	934 mm (36.77 in.)
B	Corridor with corner	1262 mm (49.69 in.)	1034 mm (40.71 in.)
C	Rotation about centre	1780 mm (70.08 in.)	1406 mm (55.35 in.)

CLEARANCES - FACIA OPENING

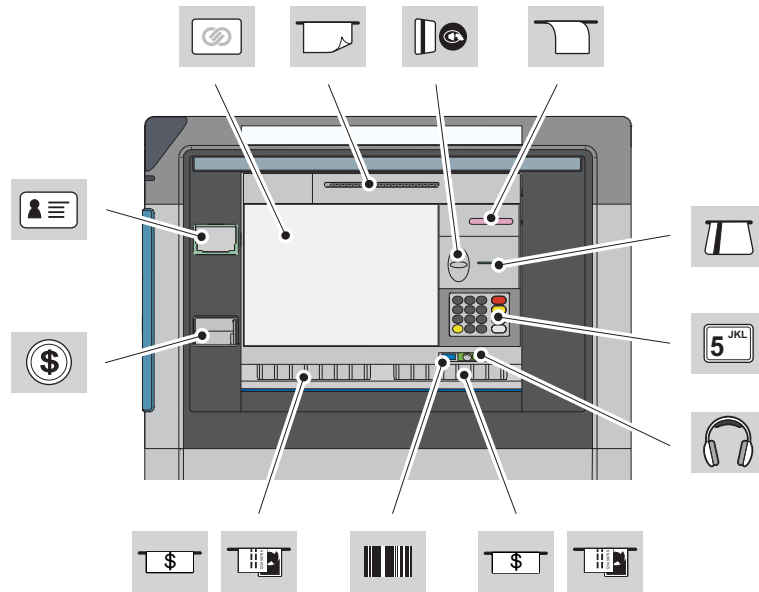


CLEARANCES - COSMETIC DOOR

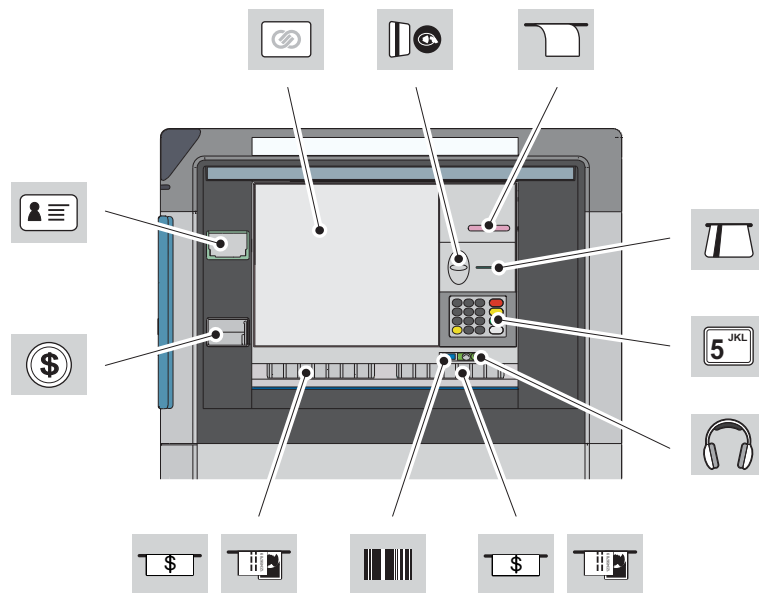


FACIA ITEMS

15" Touchscreen



19" Touchscreen



Touchscreen Dimensions

Touchscreen Size	Touchscreen Height x Width	Touchscreen Angle
15 inch	234 mm x 310 mm 9.21 in. x 12.20 in.	3 degrees from vertical
19 inch	305 mm x 380 mm 12.01 in. x 14.96 in.	3 degrees from vertical

Heights and Depths

Facia Item		Height from base of ATM	Depth from front of collar
Statement Exit		1265 mm (49.80 in.)	27 mm (1.06 in.)
Touchscreen 483 mm (19 in.)	Top	1241 mm (48.86 in.)	26 mm (1.02 in.)
Touchscreen 381 mm (15 in.)	Top	1182 mm (46.54 in.)	23 mm (0.91 in.)
Receipt		1181 mm (46.50 in.)	17 mm (0.67 in.)
ID Scanner		1149 mm (45.24 in.)	18 mm (0.71 in.)
Card Reader		1098 mm (43.23 in.)	18 mm (0.71 in.)
Contactless Card Reader (behind Facia)		1098 mm (43.23 in.)	18 mm (0.71 in.)
PIN Pad	Number 5 key	998 mm (39.29 in.)	12 mm (0.47 in.)
Coin Exit		923 mm (36.34 in.)	15 mm (0.59 in.)
Private Audio		898 mm (35.35 in.)	17 mm (0.67 in.)
Barcode Reader - Activation Point		875 mm (34.45 in.)	12 mm (0.47 in.)
Cash Exit/Entry		865 mm (34.06 in.)	28 mm (1.10 in.)
Scalable Deposit Module		865 mm (34.06 in.)	28 mm (1.10 in.)

Distance for Voice Guidance

Facia Item	No.5 Key		Audio Jack		
	Distance to Facia Item		Distance to Facia Item		
Card Reader	1	110 mm (4.33 in.)	1	202 mm (7.95 in.)	
Receipt	1	188 mm (7.40 in.)	1	283 mm (11.14 in.)	
Private Audio	6	101 mm (3.98 in.)	6	-	
Barcode Reader - Activation Point	7	134 mm (5.28 in.)	8	73 mm (2.87 in.)	
Cash Exit/Entry	Right hand	7	140 mm (5.51 in.)	8	65 mm (2.56 in.)
Scalable Deposit Module	Right hand	7	140 mm (5.51 in.)	8	65 mm (2.56 in.)
Scalable Deposit Module	Left hand	8	359 mm (14.13 in.)	9	349 mm (13.74 in.)
Cash Exit/Entry	Left hand	8	359 mm (14.13 in.)	9	349 mm (13.74 in.)
Coin Exit		8	548 mm (21.57 in.)	9	558 mm (21.97 in.)
Touchscreen 381 mm (15 in.)	Centre of screen	10	283 mm (11.14 in.)	10	333 mm (13.11 in.)
Touchscreen 483 mm (19 in.)	Centre of screen	10	290 mm (11.42 in.)	10	346 mm (13.62 in.)
ID Scanner		10	563 mm (22.16 in.)	10	610 mm (24.02 in.)
Contactless Card Reader (behind Facia)		11	104 mm (4.09 in.)	11	203 mm (7.99 in.)
Statement Exit		11	327 mm (12.87 in.)	11	419 mm (16.50 in.)

SERVICING AREAS

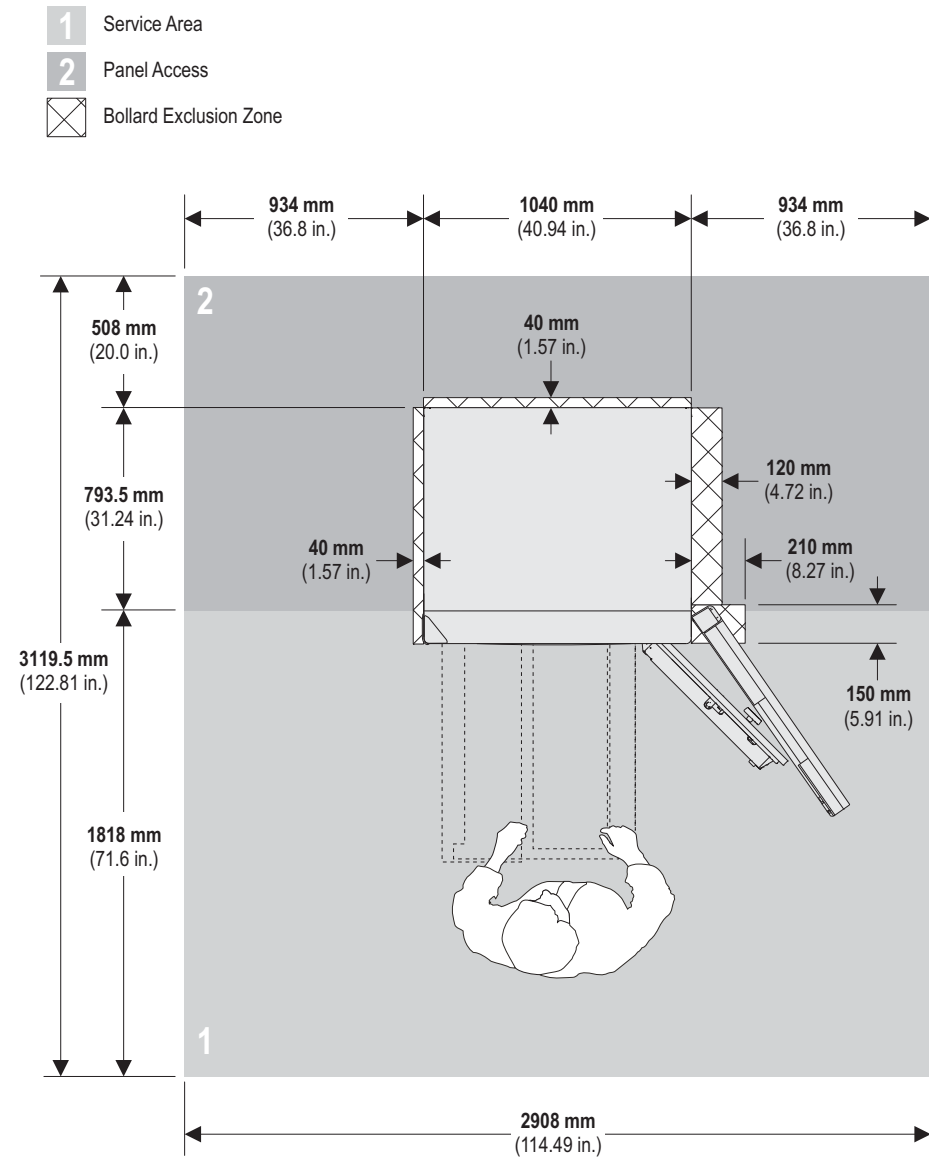
The optimum servicing area provides the best access to the ATM for all servicing and operation tasks.

Whenever possible the ATM should be installed within the optimum servicing area.

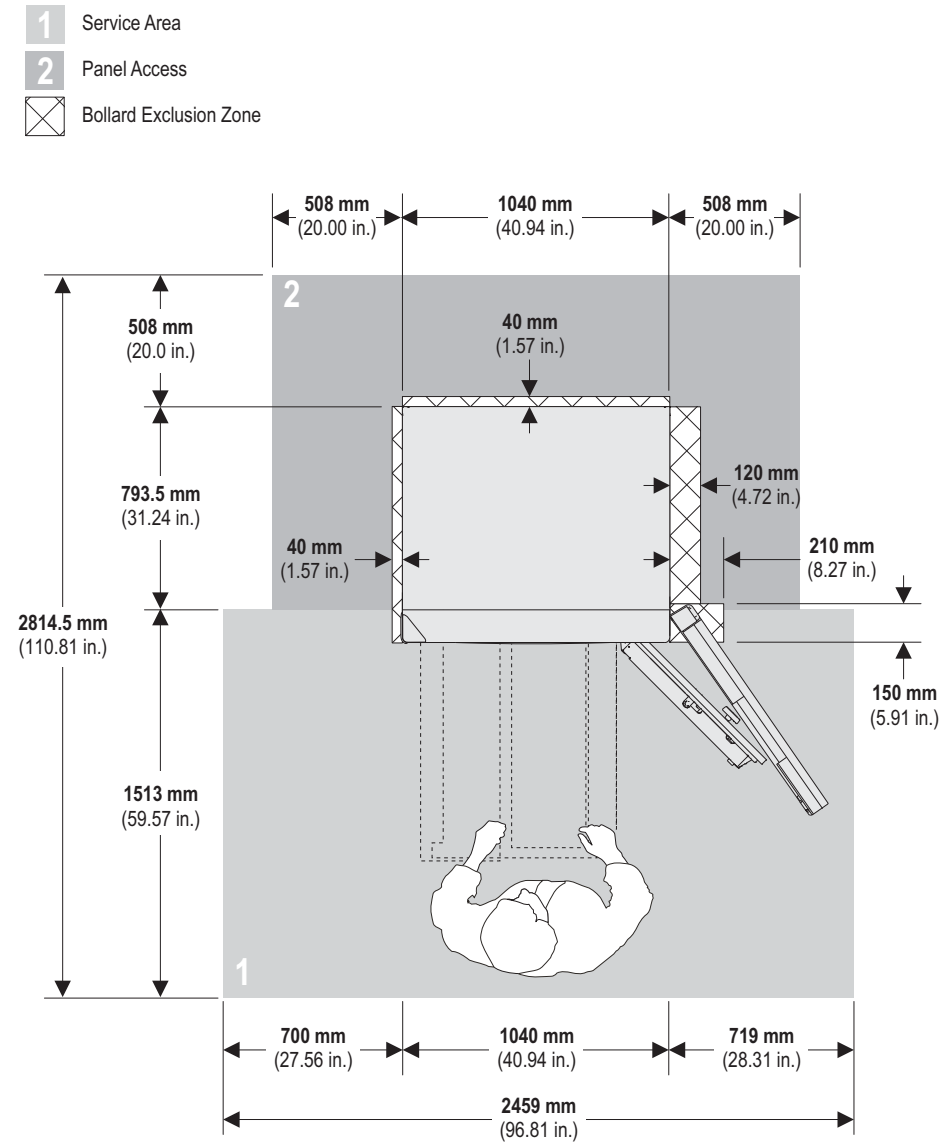
If the optimum area is not available then refer to Servicing Areas - Minimum. However note that installing the ATM in the minimum servicing area may increase the servicing and/or upgrading time over a ATM installed using the optimum area.

Always leave as much space as possible around the ATM to facilitate safe operation and servicing.

Optimum



Minimum



ORDINANCE NO. 13-14

ORDINANCE AMENDING THE MARION CODE OF ORDINANCES REGARDING A REQUEST TO REZONE PROPERTY LOCATED ALONG TOWER TERRACE ROAD BETWEEN 10TH STREET AND ALBURNETT ROAD FROM PD-C, PLANNED DEVELOPMENT COMMERCIAL TO C-3, GENERAL COMMERCIAL, WITH CONDITIONS (MOONEY ENGLE LAND COMPANY)

WHEREAS, Mooney Engle Land Company, LLC, Owner, has made application to rezone from PD-C, Planned Development Commercial to C-3, General Commercial for property located along Tower Terrace Road, between 10th Street and Alburnett Road, more particularly described as follows:

PD-C to C-3

That part of the NW ¼ SE ¼ and the NE ¼ SE ¼ both in Section 25, Township 84 North, Range 7 West of the 5th P.M., City of Marion, Linn County, Iowa described as follows:

Parcel A, Plat of Survey #1476 excepting there from Stonefield Sixth Addition to said City; and

Parcel A, Plat of Survey #1626 excepting there from Stonefield Seventh Addition to said City.

WHEREAS, the Marion Planning and Zoning Commission on April 9, 2013 amended the applicants request to include the following property to the request:

PD-C to C-3

Lot 1, Stonefield 7th Addition to Marion, Linn County Iowa, and

Lot 2, Stonefield 2nd Addition to Marion, Linn County, Iowa

WHEREAS, said application has been considered by the Planning and Zoning Commission and the Commission adopted CPC Resolution No. 13-13 dated June 11, 2013, recommending approval of said rezoning request subject to conditions:

WHEREAS, said application has heretofore been set for public hearing on May 23, 2013 before the City Council as required by law and said public hearing having been concluded and the Council having considered the record and all statements for and against said application and being fully advised of the premises; and,

WHEREAS, the City Council has considered the recommendation of the Planning & Zoning Commission regarding said rezoning application:

BE IT ORDAINED BY THE CITY COUNCIL OF THE CITY OF MARION IOWA;
Section 1. That Section 176.04 of the Marion Code of Ordinances is hereby amended, including the Zoning District Map, and the zoning classification is changed for the above

described real estate from PD-C, Planned Development Commercial to C-3, General Commercial subject to following standards:

- (1) Shall be subject to the permitted use regulations of the C-2, Neighborhood Commercial Zoning District and the C-1, Neighborhood Commercial Zoning District except as follows:
 - A. Restaurants, cocktail lounges, taverns, and dancing establishments, including the serving of alcoholic beverages and beer and/or including drive-in or drive-through service uses shall be prohibited north of Tower Terrace Road; east of the centerline of 3rd Street extended north of Tower Terrace Road.
 - B. Open Storage. All operations shall be conducted in a fully enclosed building
- (2) Shall be subject to the conditional use regulations of the C-2, Central Business D District and the C-1, Neighborhood Commercial Zoning District
- (3) Shall be subject to the Site and Structure Requirements of the C-1, Neighborhood Commercial Zoning District except as follows:
 - A. Maximum Height - 3 stores or 45'
 - B. Landscaping shall be required to be provided per Section 763.42 of the Marion Code of Ordinances.
- (4) Other Provisions.
 - A. Accessory Uses. Uses and structures accessory to a principal permitted use or a conditional use are permitted subject to the provisions of Section 176.32.
 - B. Temporary Uses. Temporary uses are permitted subject to the provision of Section 176.35(13).
 - C. Signs. Signs shall incorporate aesthetic features compatible with the overall character of the zoning district and neighborhoods, are permitted subject to the provisions of Section 176.31, unless otherwise specified below:
 - (1) Ground signs shall not exceed 100 square feet and any supporting columns shall be constructed with colors and materials that are compatible with the building material of the principle structure of the property.
 - (2) Ground signs shall have a base that is equal to or greater than the width of sign.
 - (3) Electronic / manual message boards shall not be operated between the hours of 10:00pm and 6:00am and shall contain an automatic light sensitive dimming devices.

D. Off-street Parking and Loading. Off-street parking and loading facilities shall be provided according to the provisions of Section 176.29.

E. Open Storage. All operations shall be conducted in a fully enclosed building

F. Performance Standards. No flammable, reactive, explosive, toxic, or radioactive materials may be stored, handled or utilized unless the Building Official and the Fire Chief determine that such use does not constitute a hazard to adjacent properties based upon standards and criteria set forth in local, State and Federal codes, rules and/or regulations.

G. Architectural Requirements. The use of quality architectural materials shall be used on all sides of all buildings and structures in order to enhance the physical appearance of the building and attempt to make the structures more compatible with residential structures in the adjacent neighborhoods.

(1) The roofs shall be pitched or gabled in attempt to make the structure more compatible with the residential structures in the adjacent neighborhood.

a. All roof elements under 10,000 square feet shall have a minimum 6/12 pitch.

(2) The primary exterior material shall consist of a combination of brick, architectural concrete panels, textured concrete block or architectural metal, fiber cement, stone panels in keeping with the nature and character of the theme developed by the overall project and compatible with the adjacent residential developments. Use of brick, stone, stucco or concrete block shall be used on all sides of all buildings and structures.

H. Exterior Lighting Standards. Lighting on the site shall adhere to the following standards. City staff and officials may request submittal of a formal lighting plan at their discretion, the content of which shall be determined at the time that such a request is made.

(1) Light Trespass and Distraction. Lighting shall be provided in such a way as to not interfere with roadway traffic, spill over onto adjacent properties, and / or pollute the night sky. The light levels shall be no greater than zero (0) foot-candle at any property line or public right-of-way line. Where this foot-candle restriction cannot be met, an administrative variance may be applied for when trespass may occur on a commercially zoned property, but is not permitted to trespass on to an R zoned property. Specifically, the following types of light trespass are prohibited:

a. Any light not designed for roadway illumination that produces direct or reflected glare that could disturb the operator of a motor vehicle.

b. Any light that may be confused with, or construed as a traffic control device, except as authorized by state, federal and local government.

(2) Unshielded Lighting. The use of unshielded lighting, including incandescent light bulbs hung or strung on poles, wires or any other type of support are prohibited except on temporary basis not to exceed 2 weeks and when associated with construction activity on the property.

(3) Light Poles. The maximum height of light poles on private property, as measured from grade at the base to the bottom of the luminaries shall not exceed sixteen (16) feet in height. These standards do not apply to public lighting.

I. Pedestrian Sidewalks. Sidewalks shall be placed in the city right-of-way adjacent to all public streets as required by the Marion Code of Ordinances. All individual lots must provide a means of access from the public sidewalk to all buildings located on each parcel.

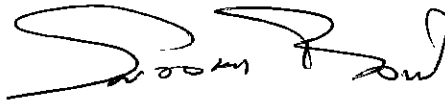
J. Building Renderings. Each building permit/site plan shall include a colored rendering of the principle structure indicating the type and color of all exterior building materials

K. Hours of Operation: Businesses shall not be open to the public between the hours of 11:00PM and 6:00AM unless approved by Conditional Use.

Section 2. That all ordinances and parts of ordinances in conflict with the same are hereby repealed.

Section 3. This ordinance shall be in full force and effect from and after its passage, approval, and publication as by law provided.

Passed and approved this 14th day of July, 2013.



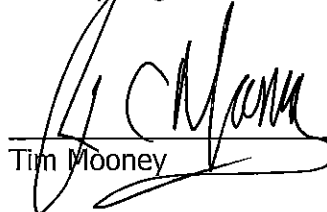
Snooks Bouska, Mayor

ATTEST:

Wesley A. Nelson
Wesley A. Nelson, City Clerk

ACCEPTANCE: As the petitioner for this requested change in zoning district classification, I hereby accept the conditions as included in the above ordinance

Mooney-Engle Land Company, LLC



Tim Mooney

CERTIFICATE OF SERVICE
The undersigned City Clerk of Marion, Iowa certifies that the Ord of Summary shown immediately above was published in the Marion Times on the 25th day of July, 20 13.
Wes Nelson
City Clerk

PUBLIC NOTICE

SUMMARY OF ORDINANCE 13-14

Pursuant to Section 380.7(2) of the Code of Iowa, Notice is hereby given of the passage of Ordinance 13-14 entitled Ordinance Amending the Marion Code of Ordinances Regarding a Request to Rezone Property Located Along Tower Terrace Road Between 10th Street and Alburnett Road from PD-C, Planned Development Commercial to C-3, General Commercial, with Conditions.

The following is an abstract or synopsis of the essential elements of the Ordinance:

That Section 176.04 of the Marion Code of Ordinances is hereby amended, including the zoning district map, and the zoning classification is changed for the above described real estate from PD-C, Planned Development Commercial to C-3. General Commercial subject to standards.

The above description of Ordinance 13-14 is a summary. Said Ordinance is located at the Office of the Marion City Clerk, City Hall, 1225 Sixth Avenue #170, Marion, Iowa, where the same may be inspected during normal business hours of 8:00 a.m. to 5:00 p.m., Monday through Friday, exclusive of holidays. Said Ordinance becomes effective on the date of this publication.

DATED this 11th day of July, 2013.

WESLEY A NELSON
CITY CLERK

CERTIFICATE OF SERVICE
The undersigned City Clerk of Marion, Iowa
certifies that the Ord & Summary
shown immediately above was published in the
marion times on the 25th day of
July, 2013.
Wes Nelson
City Clerk